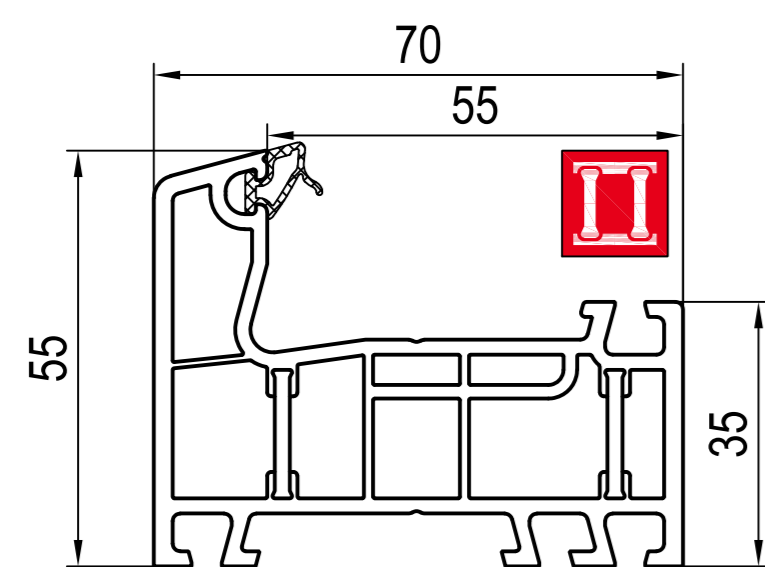
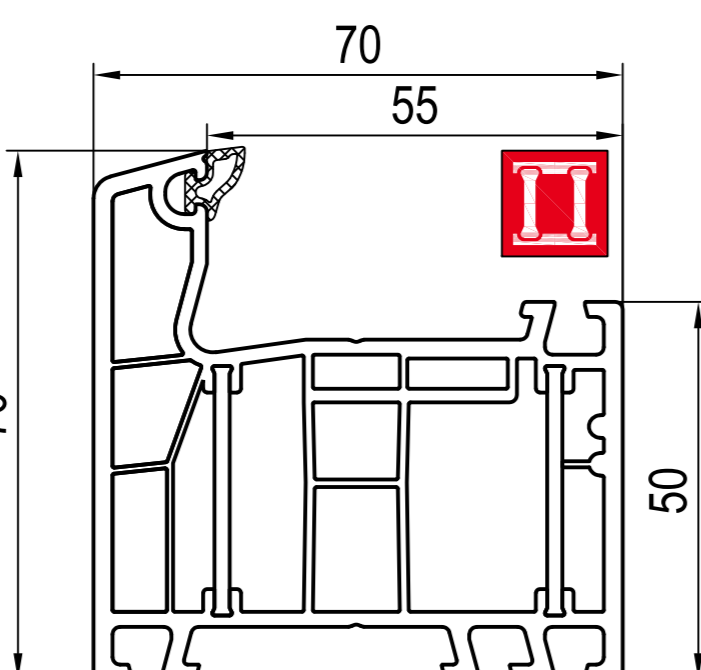


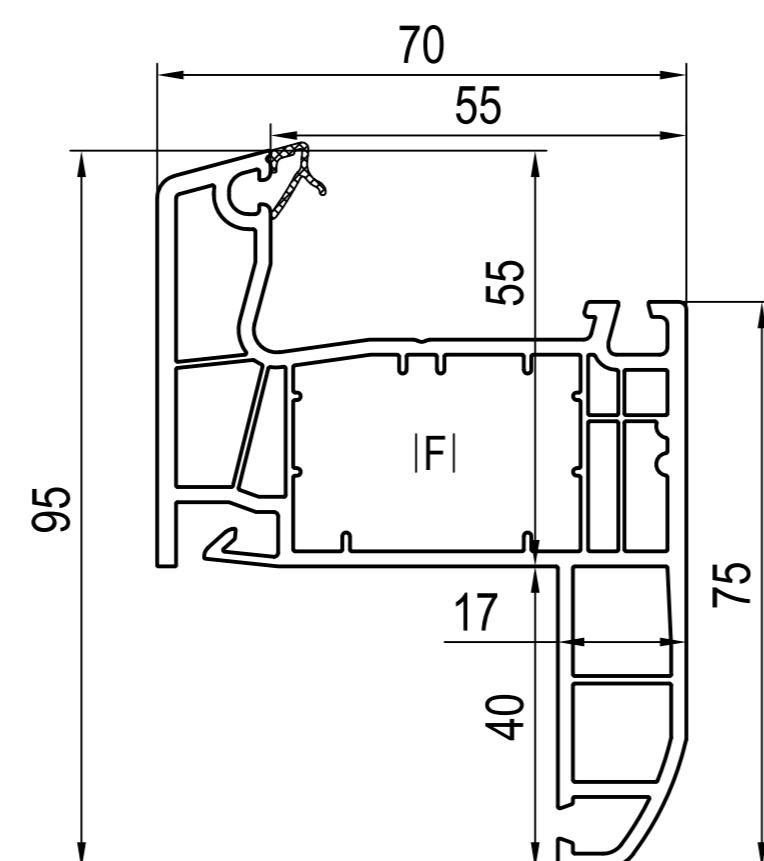
profile główne
ramy



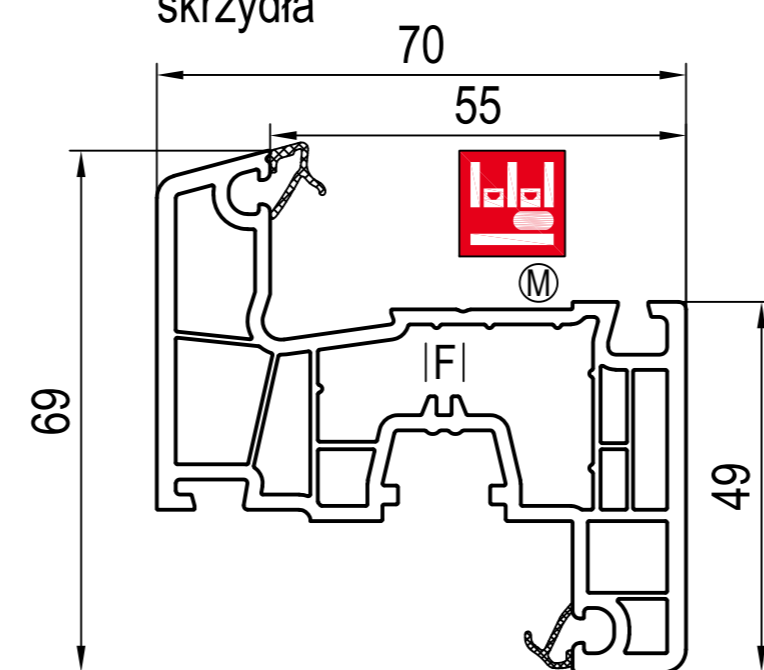
040x02 (CL)
IA| 640301, 640311, 640320
PI| 259304
QI| 227300, 227303, 227305
UI| 249058, 249060, 269060
VI| 646022 + IX| 446071



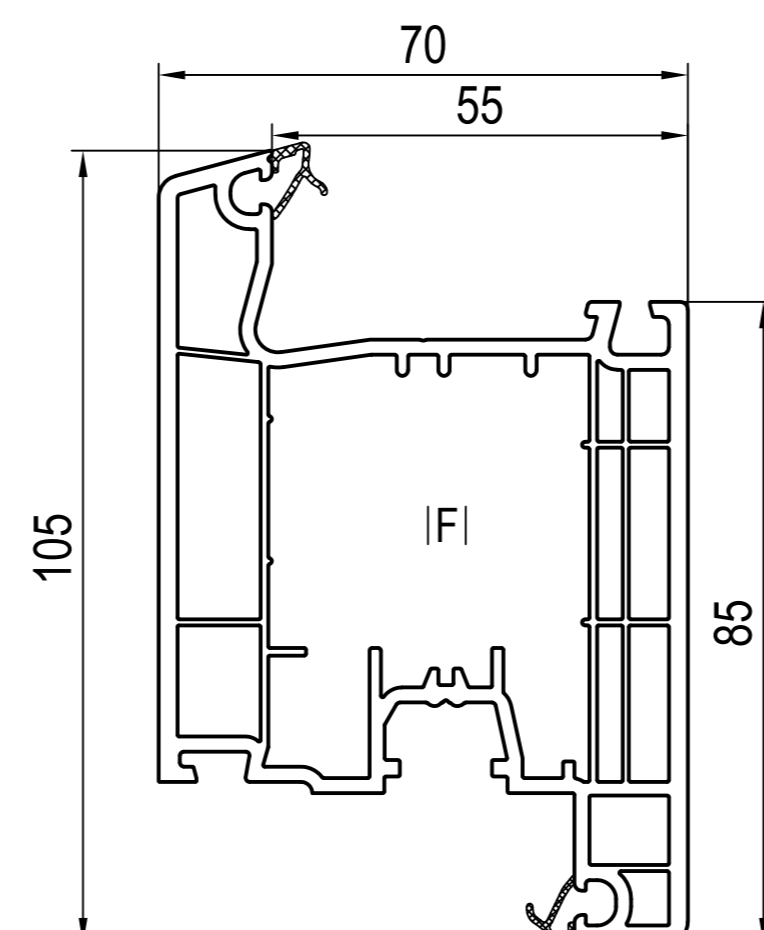
040x07 (CL)
IA| 640301, 640311, 640320
PI| 249312, 259304
QI| 227300, 227303, 227305
UI| 249058, 249060, 269060
VI| 646071 + IX| 446071



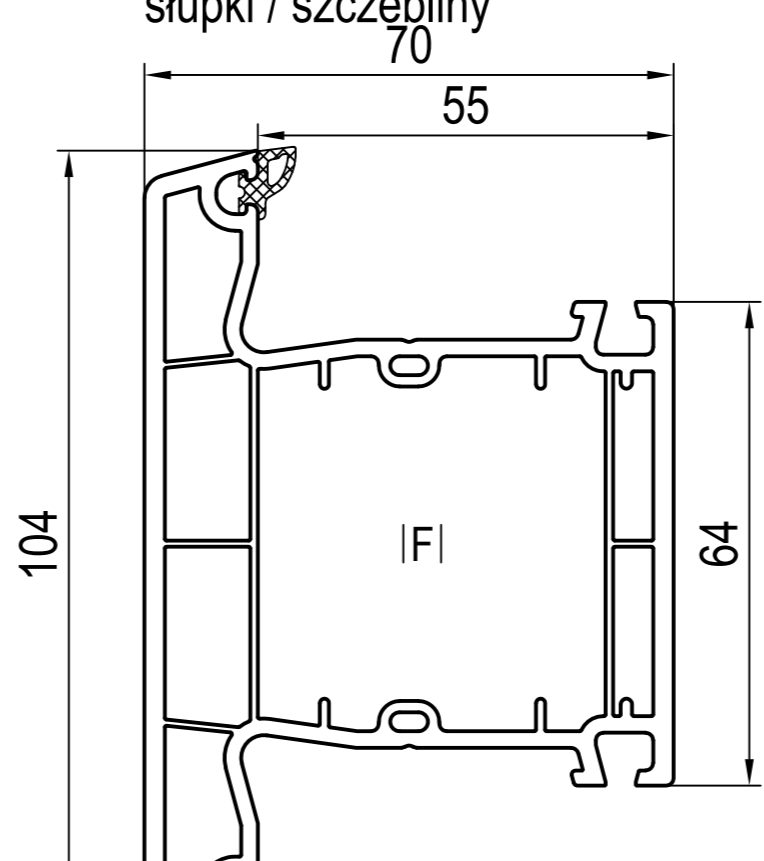
140x05 (CL)
IA| 640301, 640311, 640320
FI| 229098, 229100, 229101, 249004
PI| 259304
QI| 227300, 227303, 227305



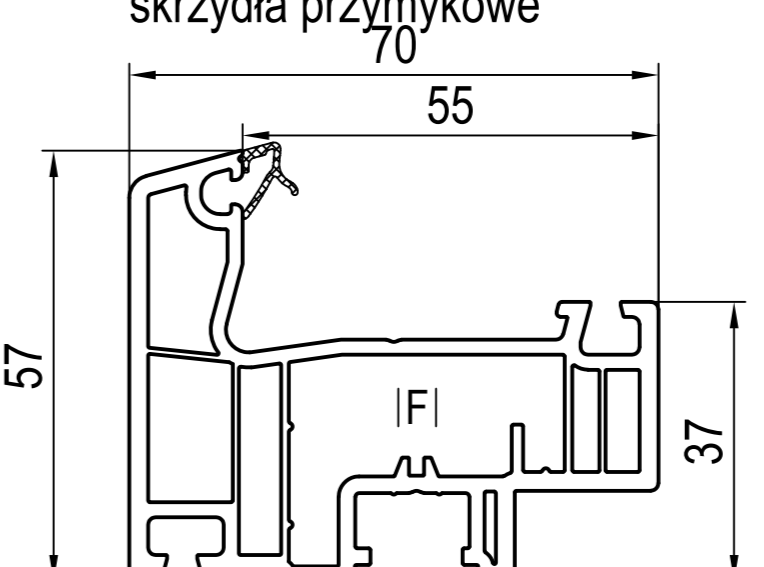
140x24 (CL)
IA| 650250, 650252, 655251
lub IX| J
FI| 259024, 259028
IX| J| 642261, 642262, 642263
PI| 249424



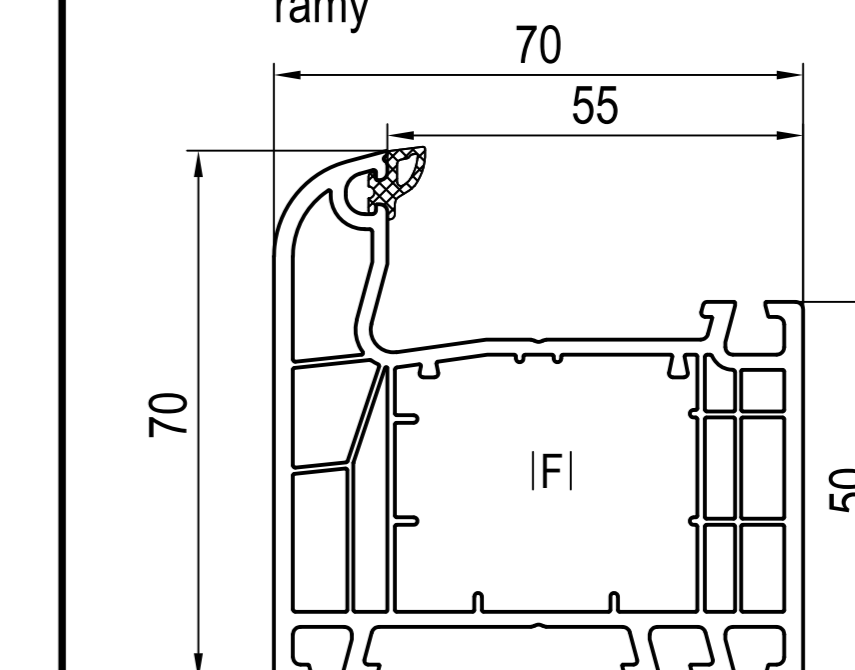
140x30 (CL) ->140x77
IA| 640301, 640311, 640320
FI| 229114, 229115, 249031
PI| 249460



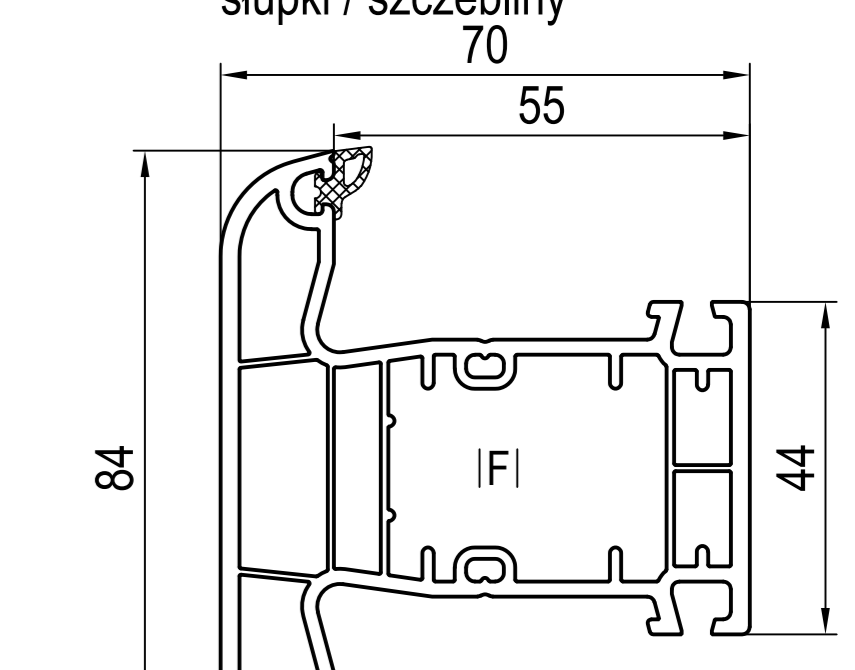
140x45 (CL)
IA| 640301, 640311, 640320
IX| 647245 ~ IX ...
IX| 677133 IX| 647136, 677103 ~140x4x ...
IX| 640046 ~ universal
FI| 249034, 249035
PI| 249343



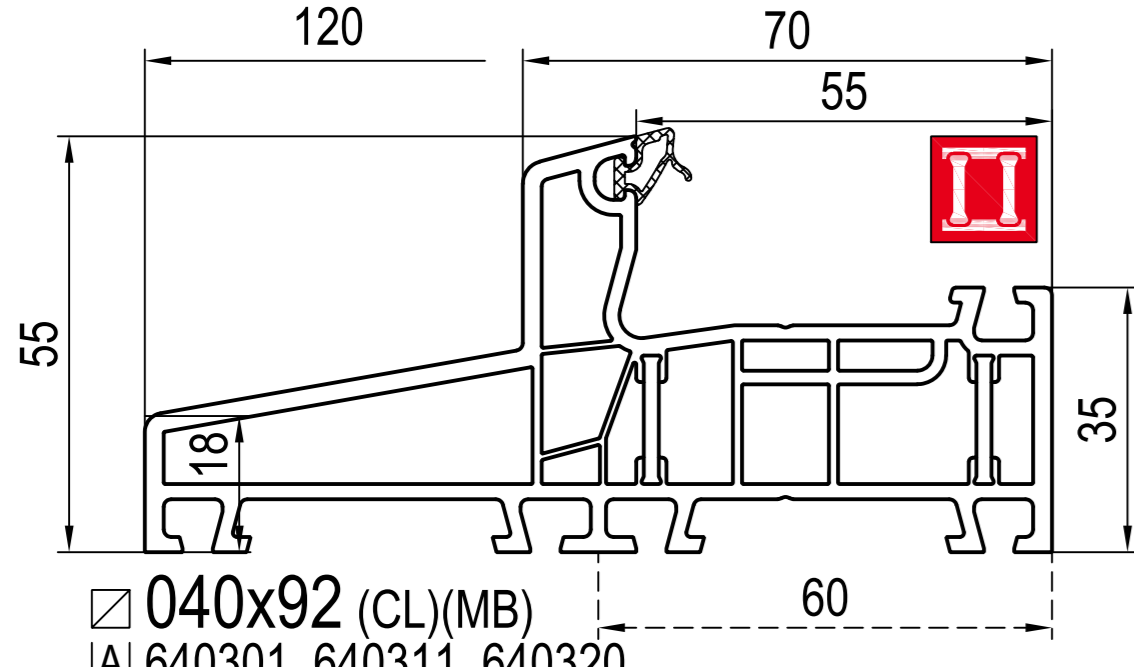
140x76 (CL) ->140x20
110x97, 120x97
IA| 640301, 640311, 640320
CI| 640082
FI| 229027, 229028



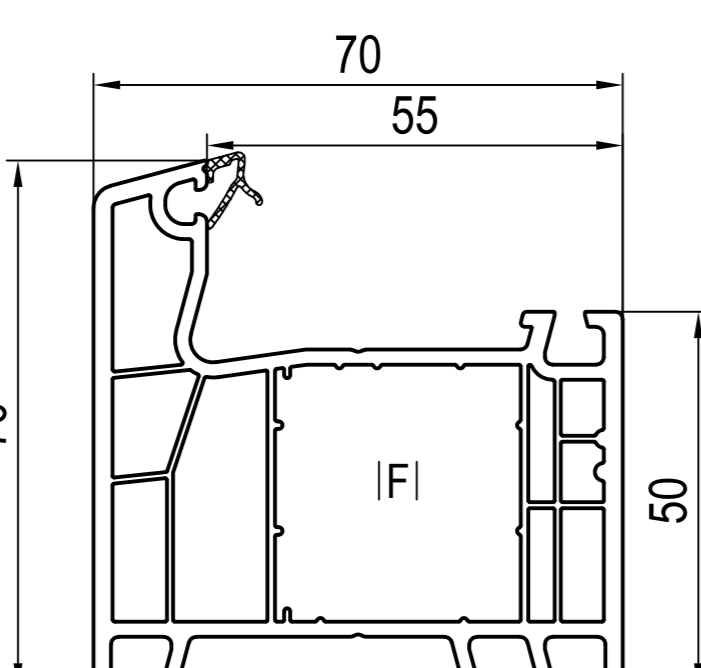
140x08 (RL)
IA| 640301, 640311, 640320
FI| 229023, 229024, 229025, 229026, 229029, 229030, 229112, 229113, 229121, 249026
QI| 247300
UI| 249058, 249060, 269060
VI| 646070 + IX| 446071



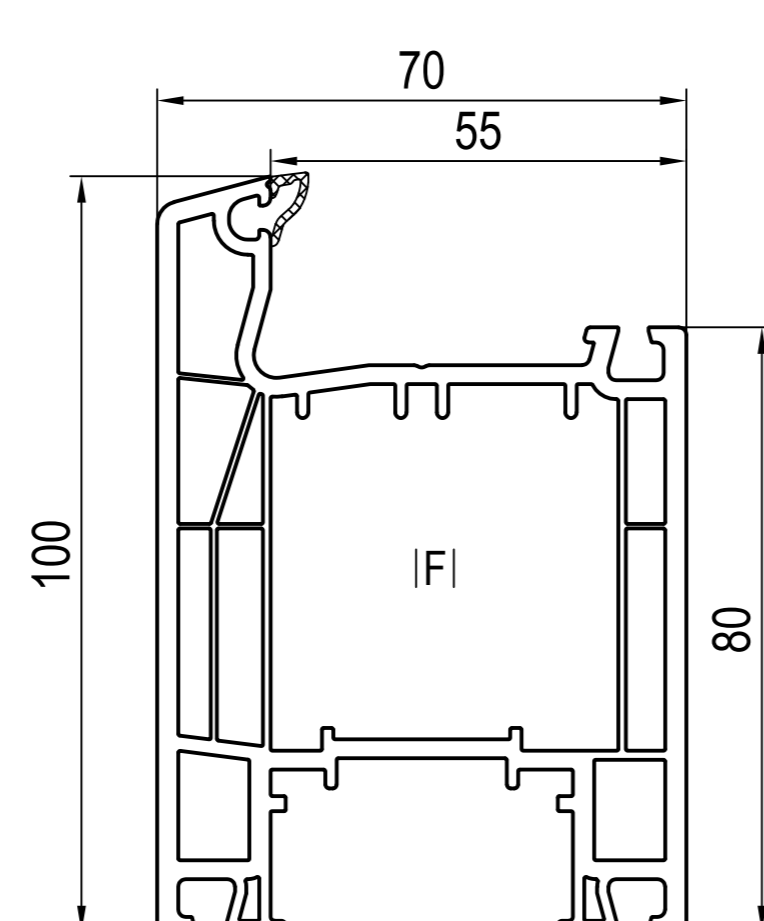
140x47 (RL)
IA| 640301, 640311, 640320
IX| 647241 ~ IX ...
IX| 647131, 649131, 647132 ~140x4x ...
IX| 647101, 649101, 647102 ~140x4x ...
IX| 620046 ~ universal
FI| 229098, 229100, 229101



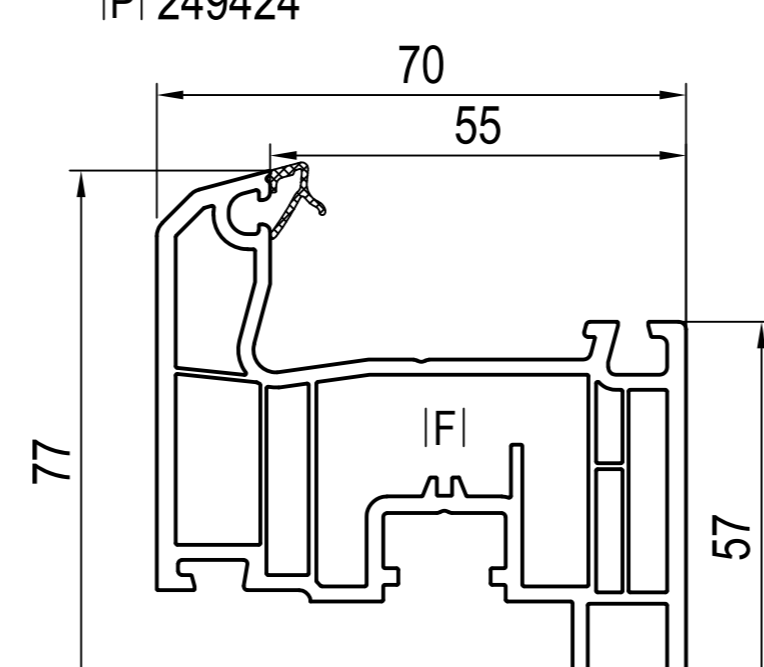
040x92 (CL)(MB)
IA| 640301, 640311, 640320
QI| 227300, 227303
UI| 249058
VI| 646079



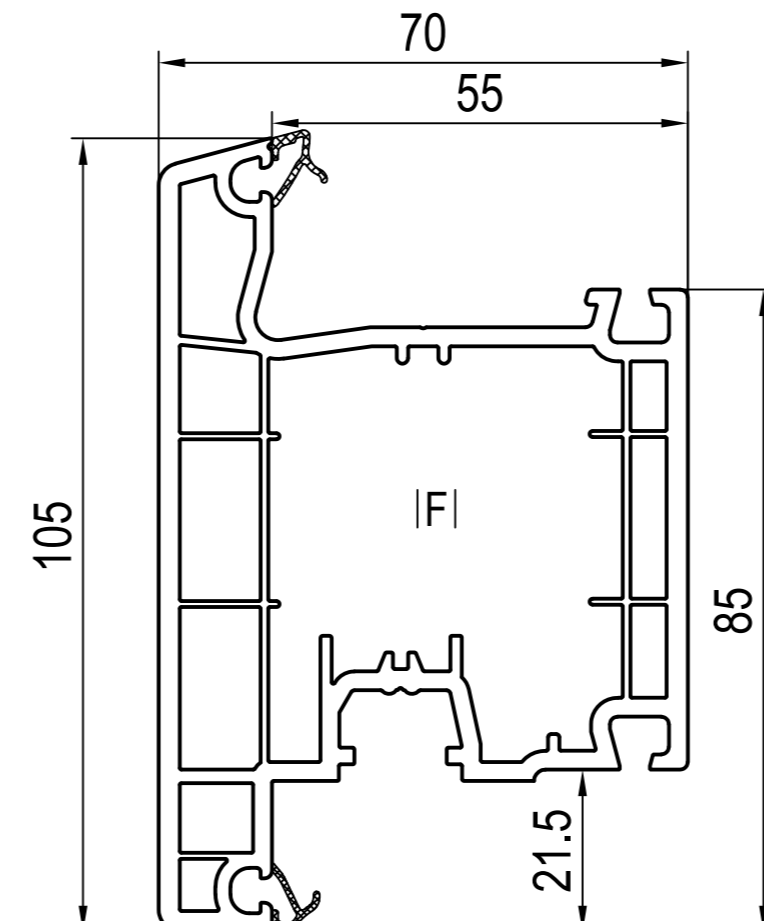
140x07 (CL)
IA| 640301, 640311, 640320
FI| 249014, 249015, 249016
PI| 249312, 259304
QI| 227300, 227303, 227305
UI| 249058, 249060, 269060
VI| 646071 + IX| 446071



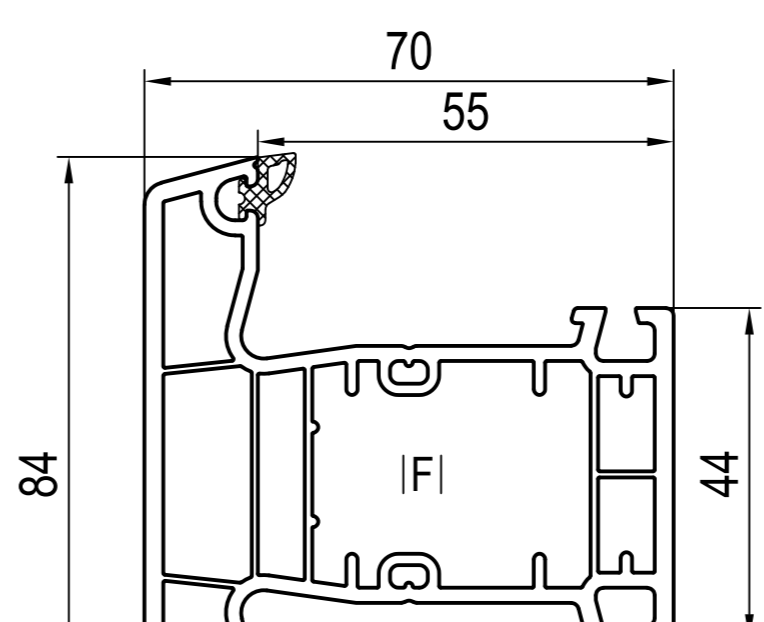
140x81 (CL)
IA| 640301, 640311, 640320
FI| 249034, 249035
QI| 227300, 227303, 227305
PI| 249314, 259304
UI| 249058, 249060, 269060
VI| 646078



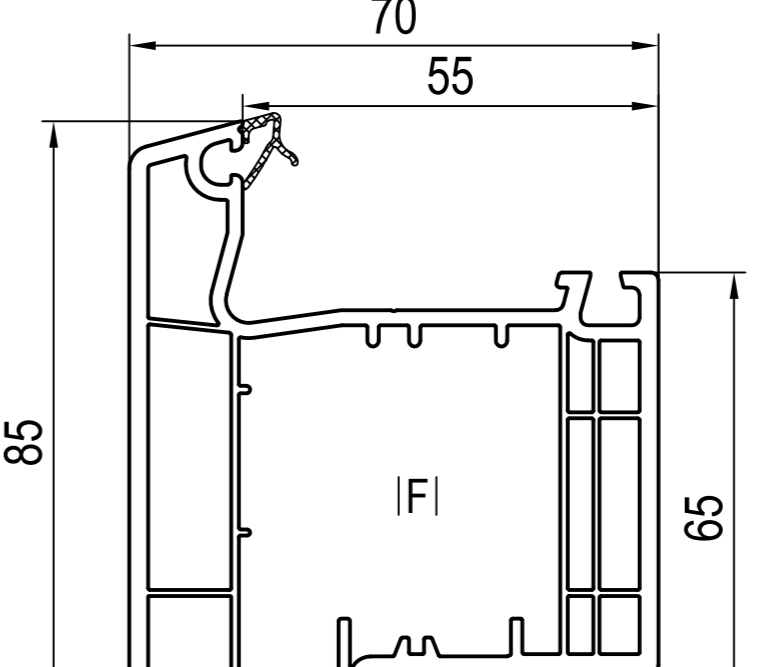
140x20 (CL) ->140x76
IA| 640301, 640311, 640320
FI| 229023, 229024, 229025, 229026, 229027, 229028, 249026
PI| 249450



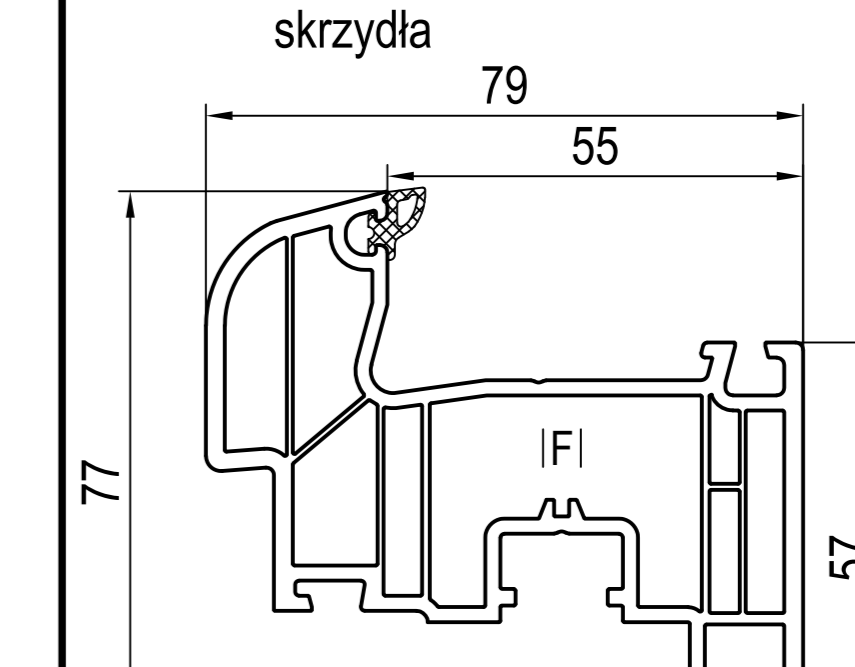
140x31 (CL)
IA| 640301, 640311, 640320
FI| 229114, 229115, 249013, 249031



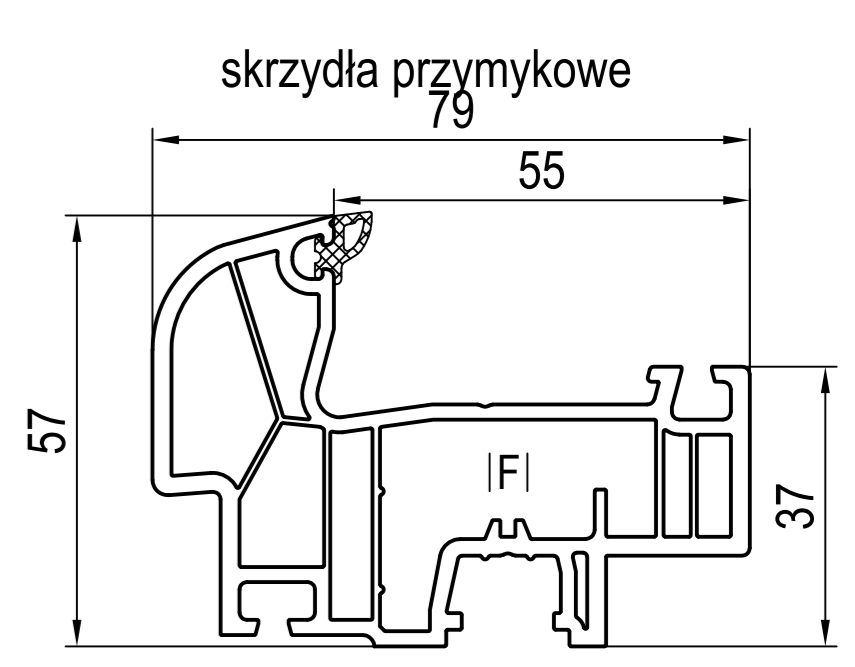
140x41 (CL)
IA| 640301, 640311, 640320
IX| 647241 ~ IX ...
IX| 647131, 649131, 647132 ~140x4x ...
IX| 647101, 649101, 647102 ~140x4x ...
IX| 620046 ~ universal
FI| 229098, 229100, 229101
PI| 249341



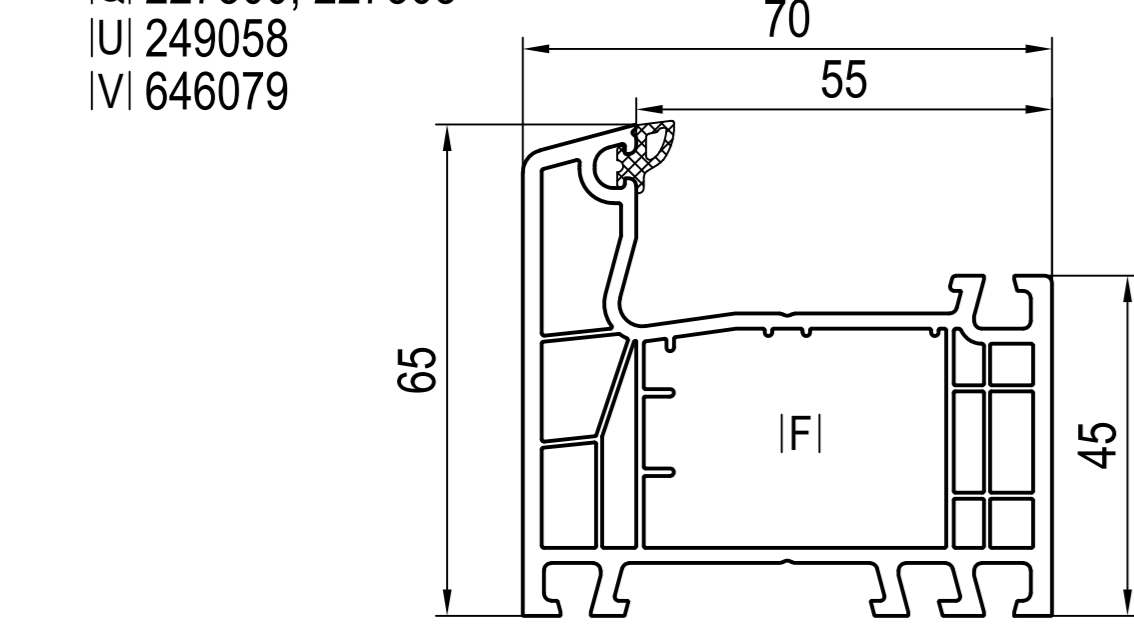
140x77 (CL) ->140x30
110x97, 120x97
IA| 640301, 640311, 640320
CI| 640082
FI| 229114, 229115, 249031



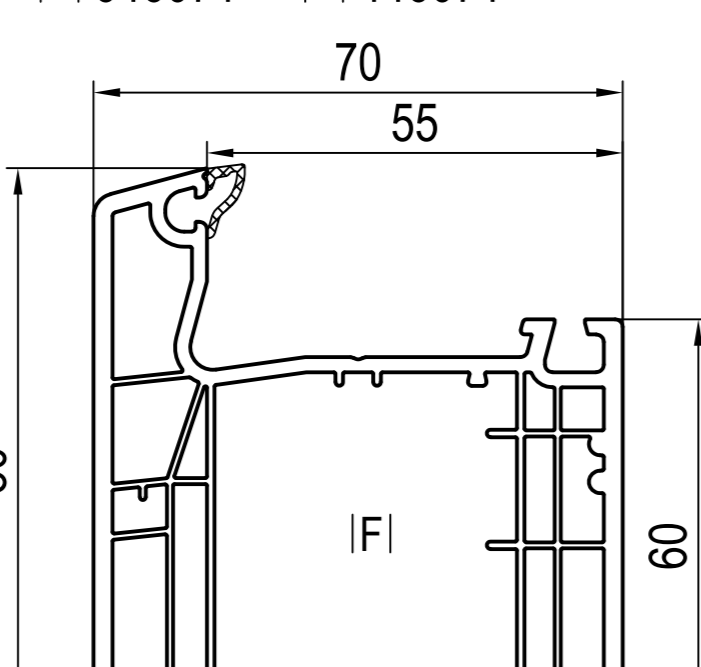
140x22 (RL) ->140x82
IA| 640301, 640311, 640320
FI| 229023, 229024, 229025, 229026, 249026



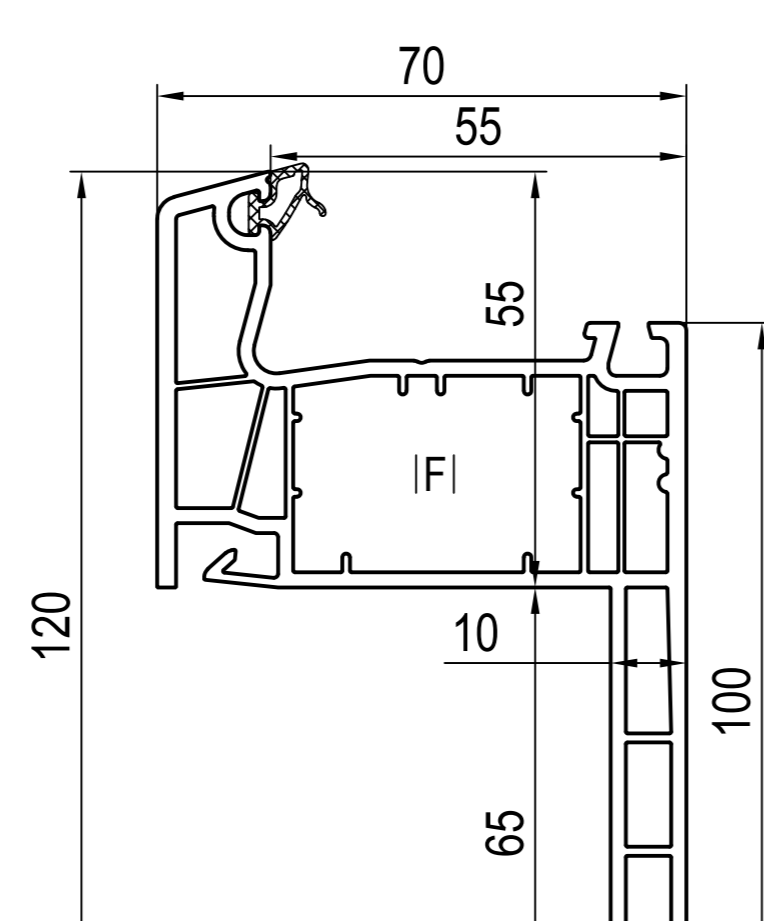
140x82 (RL) ->140x22
110x97, 120x97
IA| 640301, 640311, 640320
CI| 640082
FI| 229027, 229028



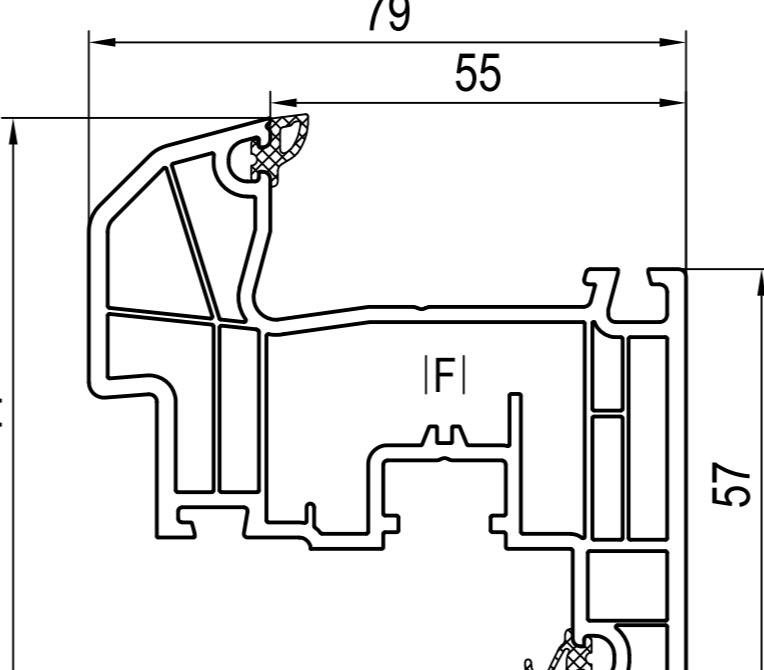
140x01 (CL)
IA| 640301, 640311, 640320
FI| 229023, 229024, 229025, 229026, 229029, 229030, 249010, 249026
PI| 259304
QI| 227300, 227303, 227305



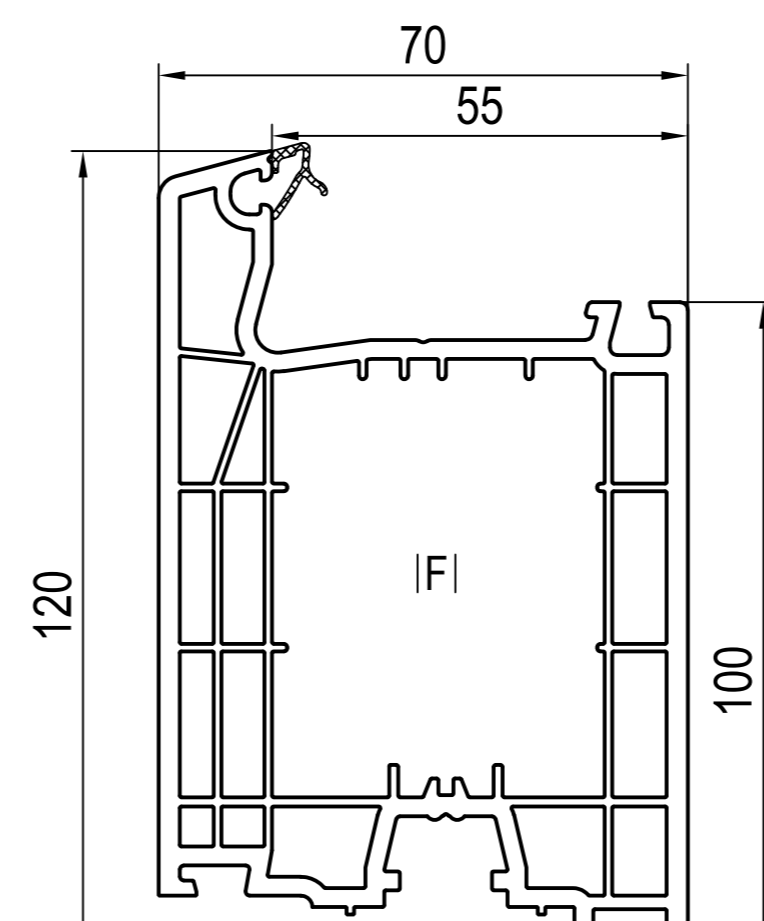
140x03 (CL)
IA| 640301, 640311, 640320
FI| 229017, 229114, 229115, 229120
PI| 249313, 259304
QI| 227300, 227303, 227305
UI| 249058, 249060, 269060
VI| 646072 + IX| 446071



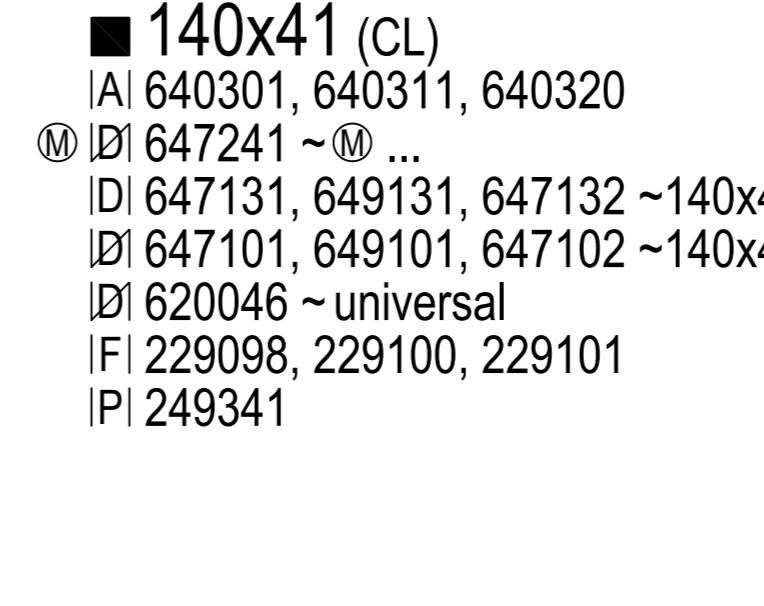
140x09 (CL)
IA| 640301, 640311, 640320
FI| 229098, 229100, 229101, 249004
PI| 259304
QI| 227300, 227303, 227305



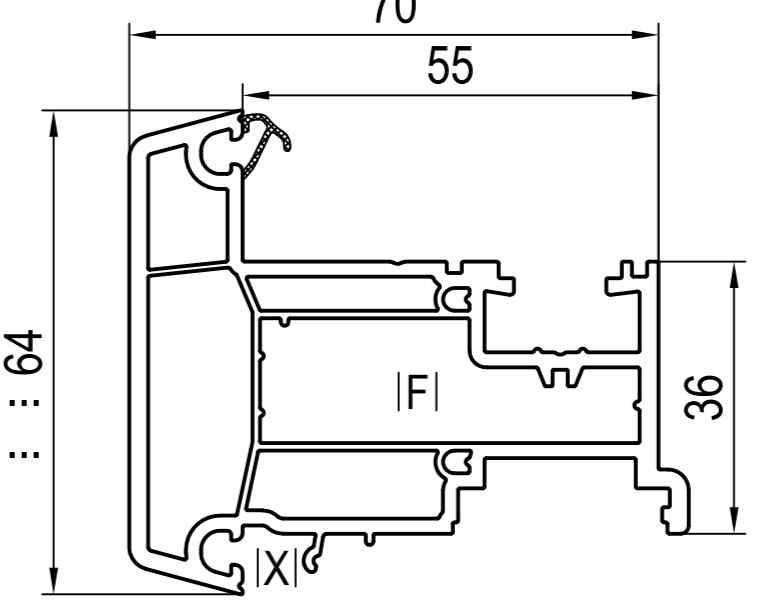
140x26 (CL)
IA| 640301, 640311, 640320
FI| 229023, 229024, 229025, 229026, 229027, 229028, 249026



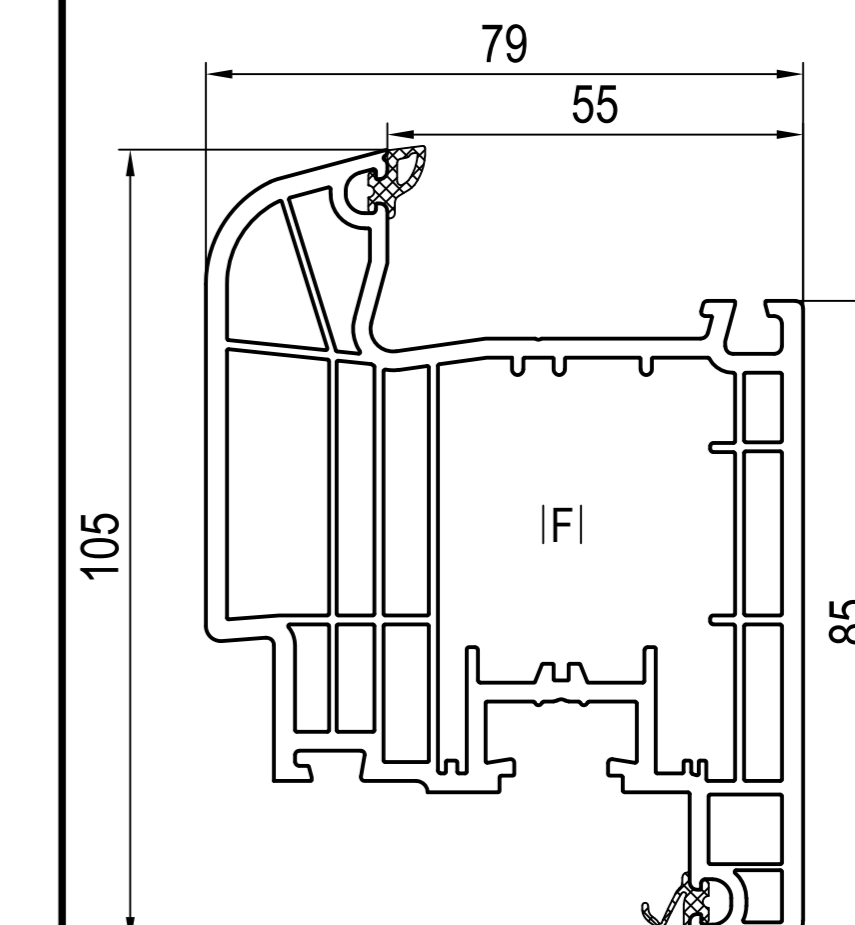
140x33 (CL)
IA| 640301, 640311, 640320
FI| 229125, 229126, 229129, 229131
PI| 249433



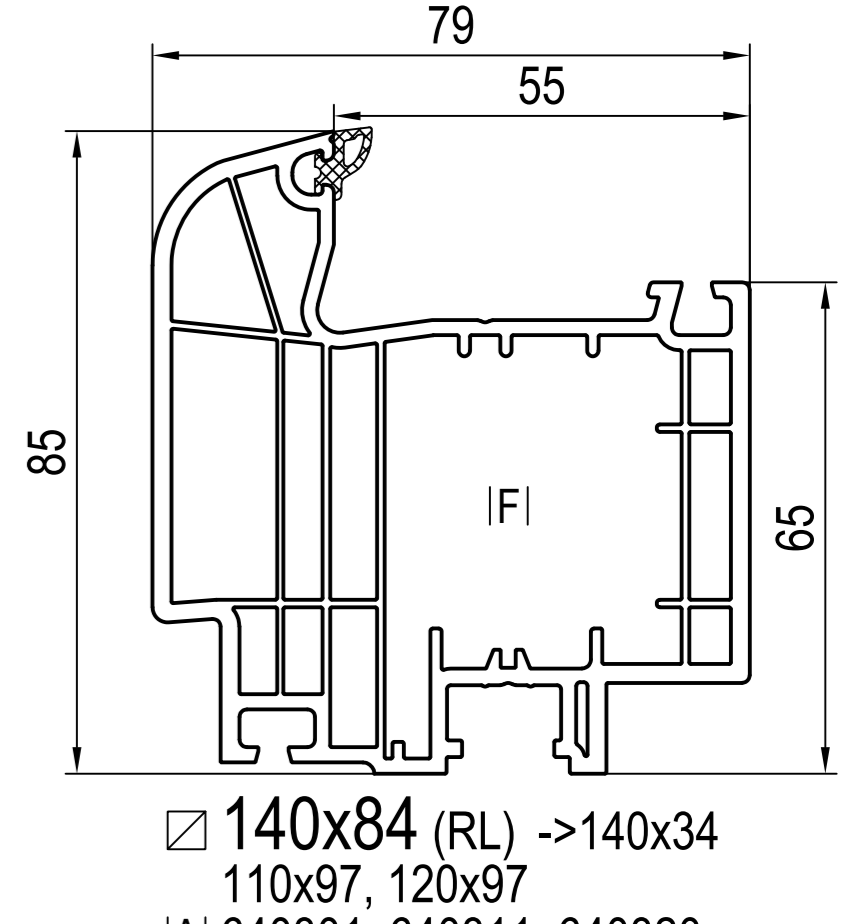
140x46 (CL)
IA| 640301, 640311, 640320
IX| 647246 ~ IX ...
IX| 647105 ~140x4x ...
FI| 249019
PI| 249346



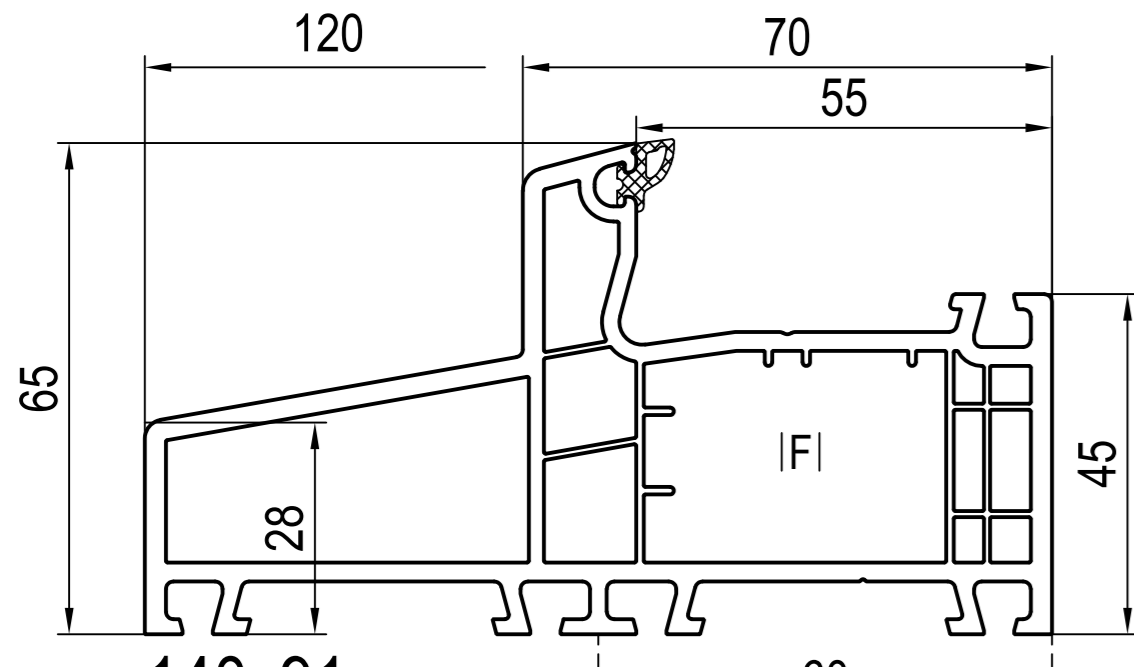
140x66 (CL)
CI| 640066
FI| 229063
PI| 249366
IX| 447340, 449340



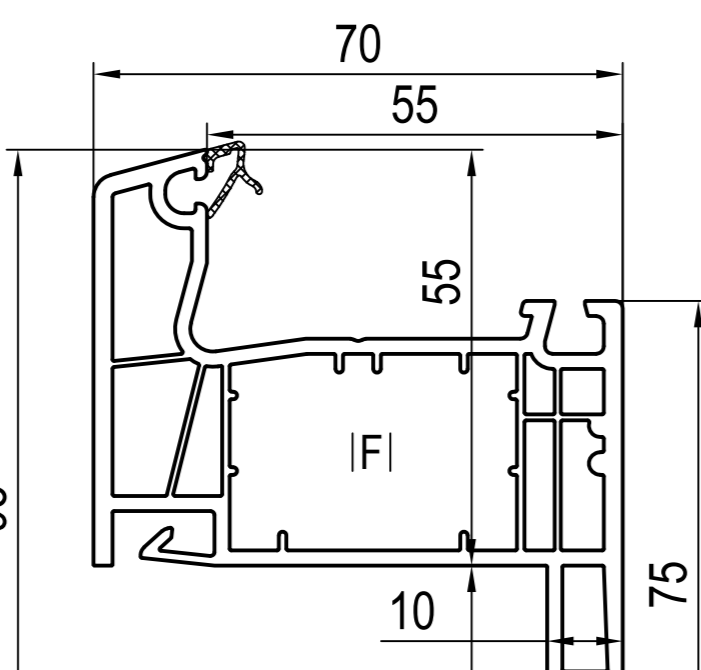
140x34 (RL) ->140x84
IA| 640301, 640311, 640320
FI| 249007, 249009



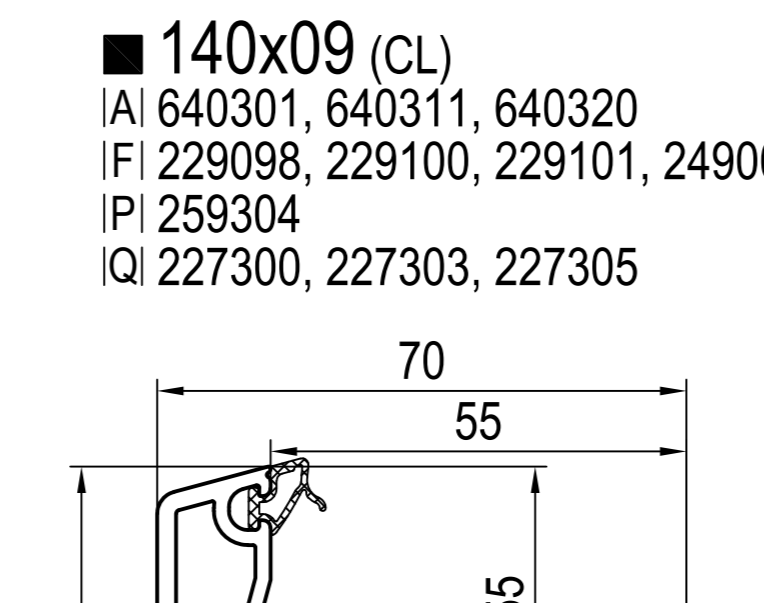
140x84 (RL) ->140x34
110x97, 120x97
IA| 640301, 640311, 640320
CI| 640082
FI| 249009



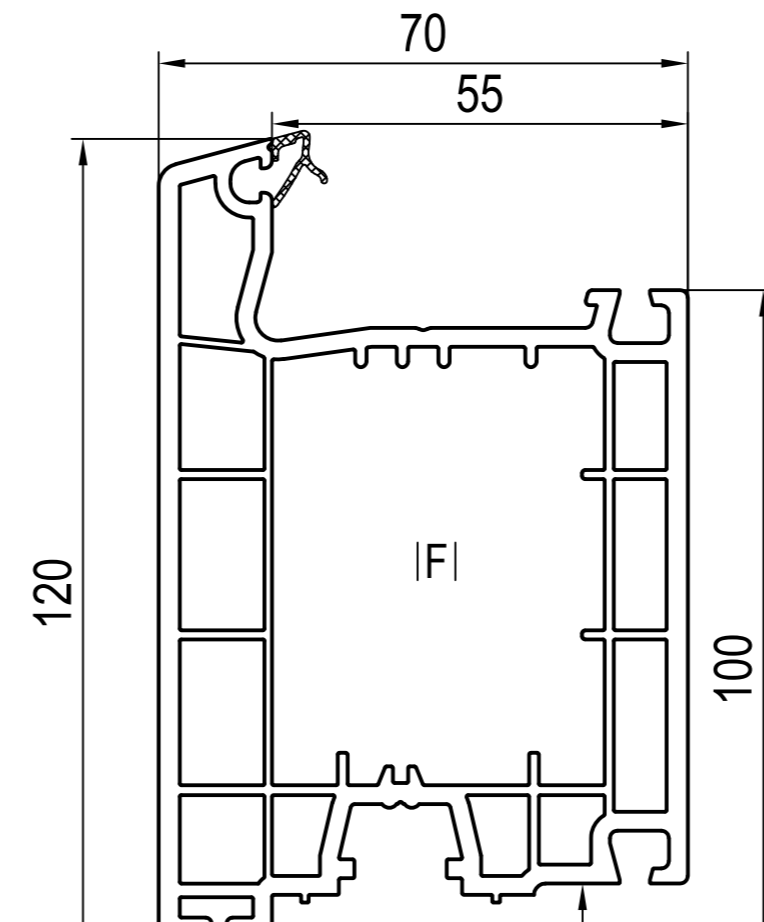
140x91 (CL)(MB)
IA| 640301, 640311, 640320
FI| 249010, 259906
QI| 227300, 227303
UI| 249058
VI| 646076



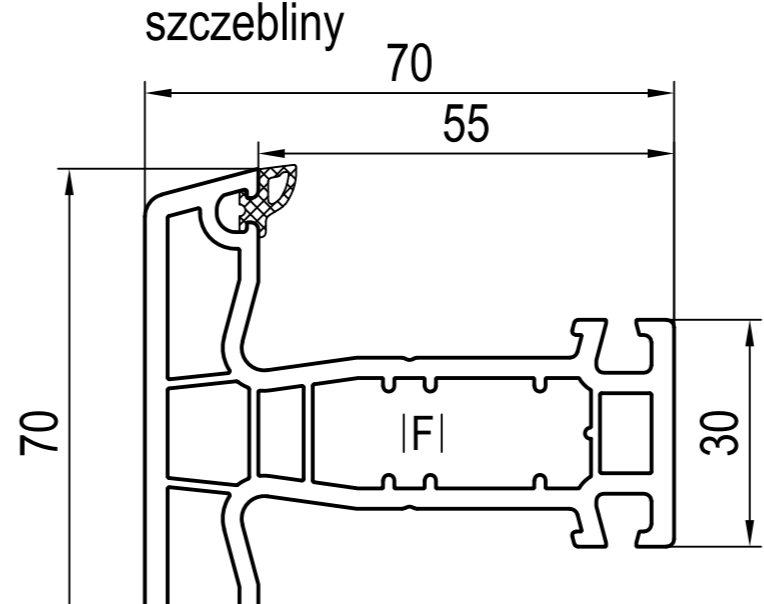
140x15 (CL)
IA| 640301, 640311, 640320
FI| 229098, 229100, 229101, 249004
PI| 259304
QI| 227300, 227303, 227305



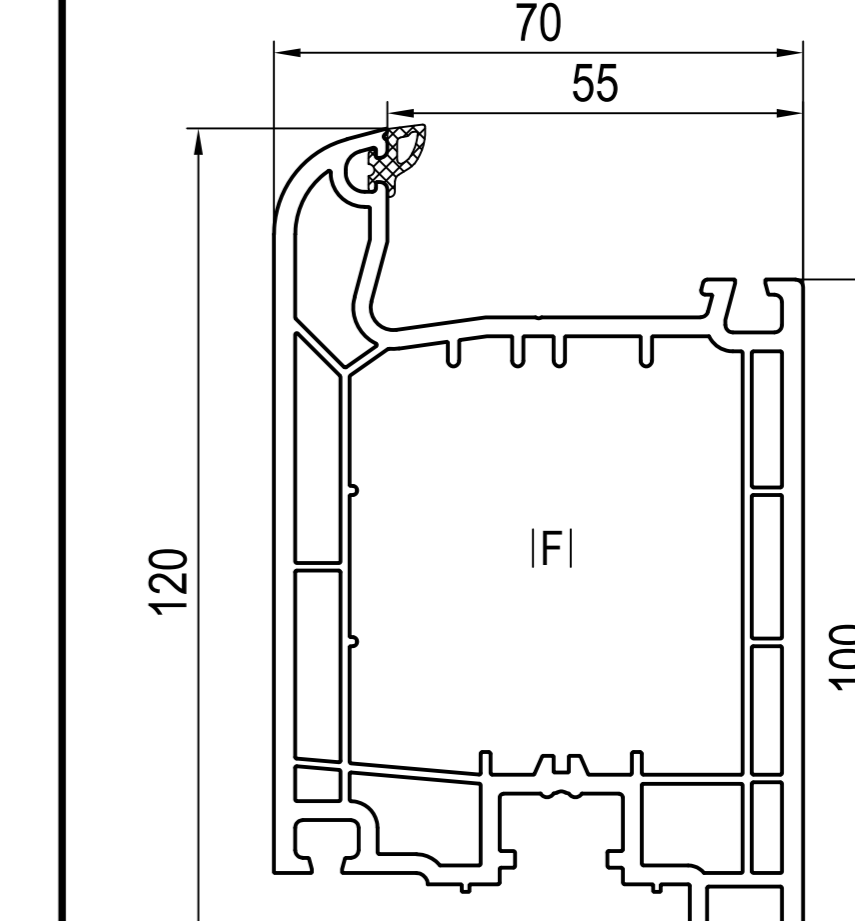
140x37 (CL)
IA| 640301, 640311, 640320
FI| 249037



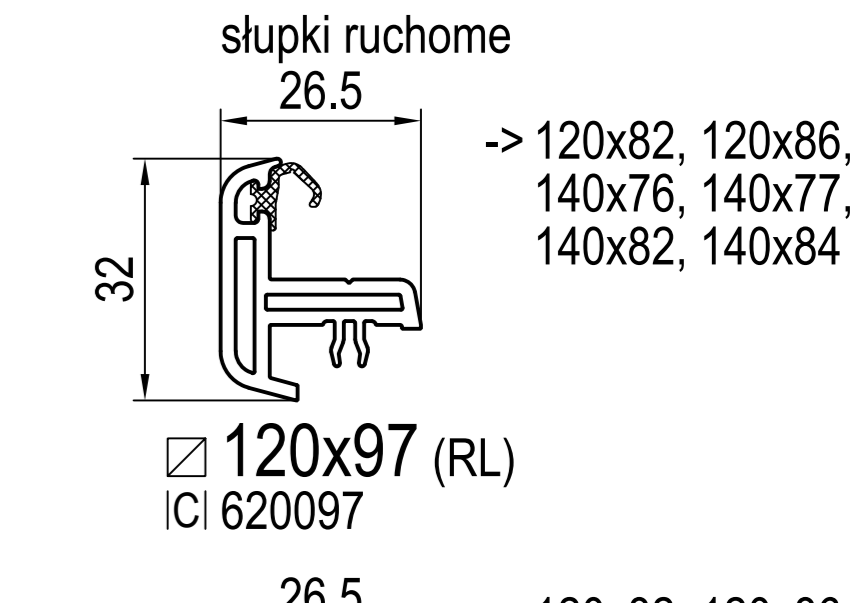
140x35 (CL)
IA| 640301, 640311, 640320
FI| 229125, 229126, 229129, 229131
slupki / szczeliny
IX| 627107 ~140x4x ...



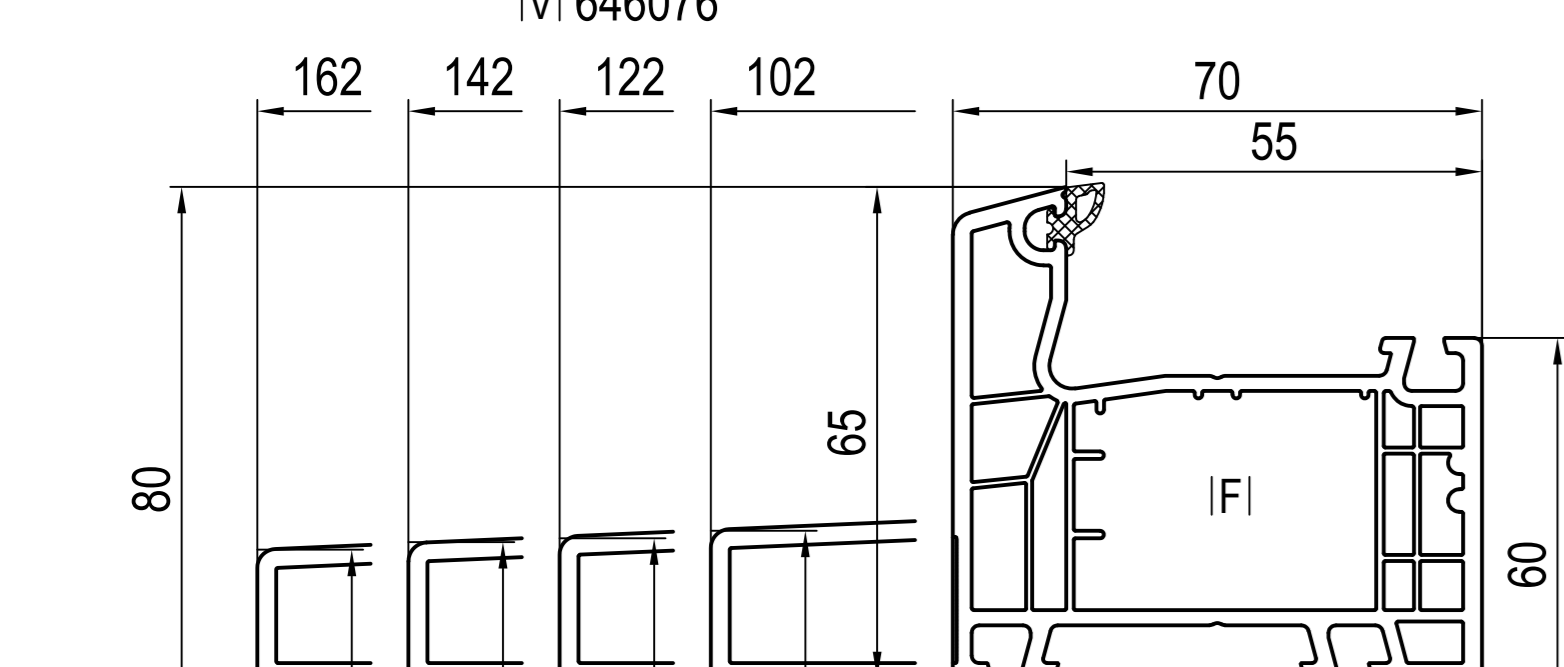
140x67 (SL)
CI| 640067
FI| 259094
PI| 249366
IX| 447340, 449340



140x38 (RL)
IA| 640301, 640311, 640320
FI| 229135, 229137



120x97 (RL)
CI| 620097



140x19 (CL)(MB) I=162 mm

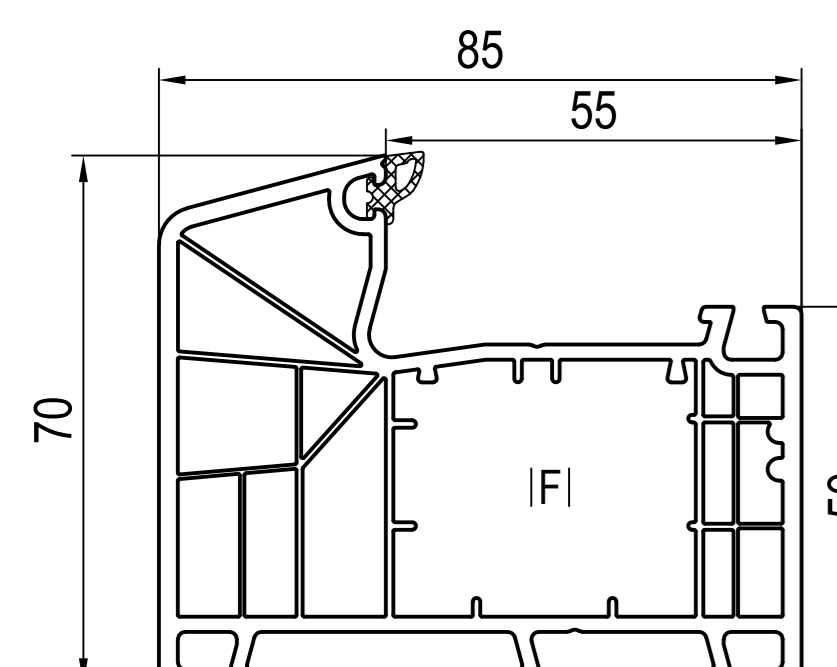
140x18 (CL)(MB) I=142 mm

140x16 (CL)(MB) I=122 mm

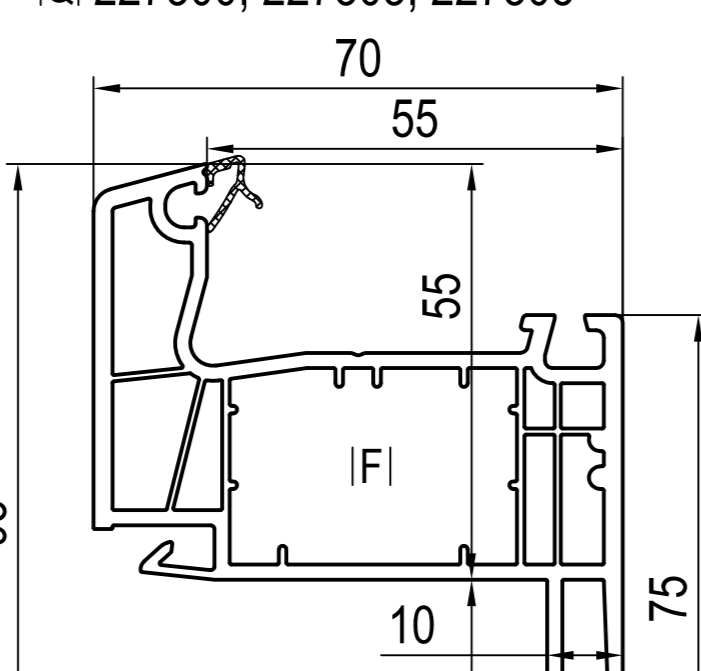
140x14 (CL)(MB) I=102 mm

140x12 (CL)(MB) I=70 mm

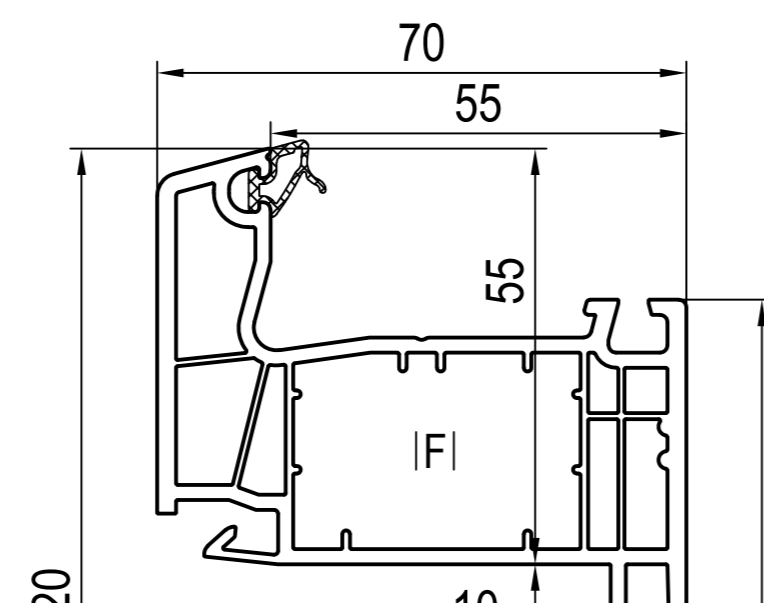
IA| 640301, 640311, 640320
FI| 229023, 229024, 229025, 229026, 229029, 229030, 249010, 249026
PI| 259304
QI| 227300, 227303, 227305
->140x12: 227305



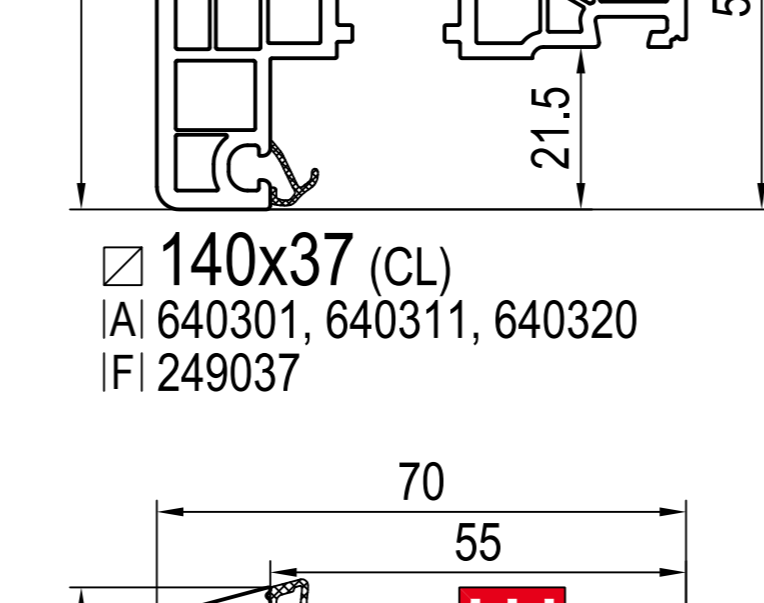
140x00 (CL)
IA| 640301, 640311, 640320
FI| 229023, 229024, 229025, 229026, 229029, 229030, 249010, 249026



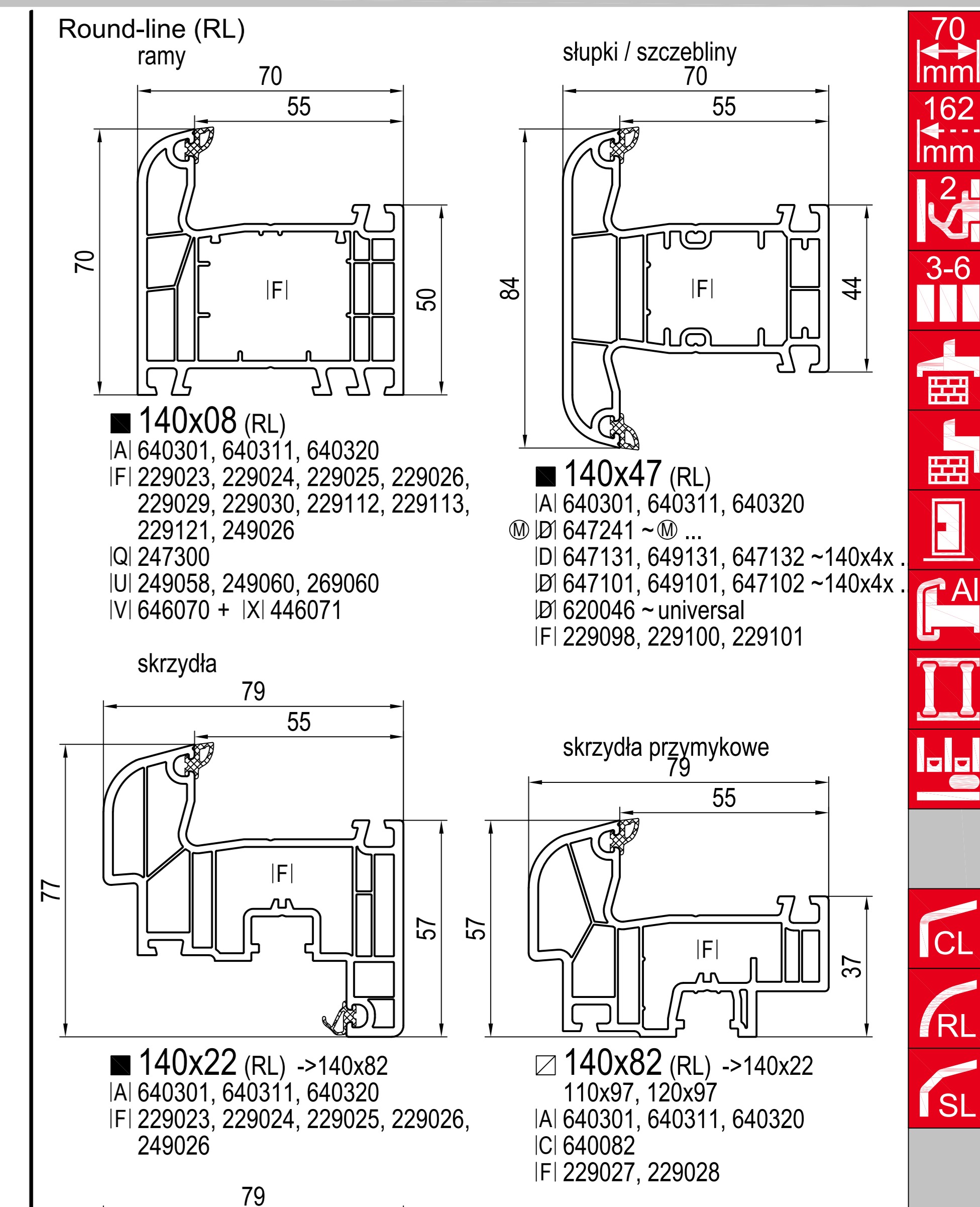
140x17 (CL)
IA| 640301, 640311, 640320
FI| 229098, 229100, 229101, 249004
PI| 259304
QI| 227300, 227303, 227305



140x09000011 (CL)
IA| 640301, 640311, 640320
FI| 229098, 229100, 229101, 249004
PI| 259304
QI| 227300, 227303, 227305



140x28 (CL)
IA| 650250, 650252, 655251
lub IX| J
FI| 209192, 209193
IX| J| 642261, 642262, 642263
PI| 249428



- IX| wklejana szyba opcja
- IX| nie występuje w kolorze (brak okleiny)
- IX| występuje w kolorze (okleina)

- IX| podkładka do szklenia
- IX| zaślepka
- IX| łącznik
- IX| łącznik bez kołnierzy
- IX| wzmocnienie
- IX| wklejana szyba
- IX| aluskin nakładka aluminiowa
- IX| aluminiowa osłona przytly ramy
- IX| próg aluminiowy
- IX| łącznik ramy z progim
- IX| łącznik słupka z progim
- IX| uszczelka

- > do
- (CL) Classic-line
- (RL) Round-line
- (SL) Soft-line
- (MB) Monoblock