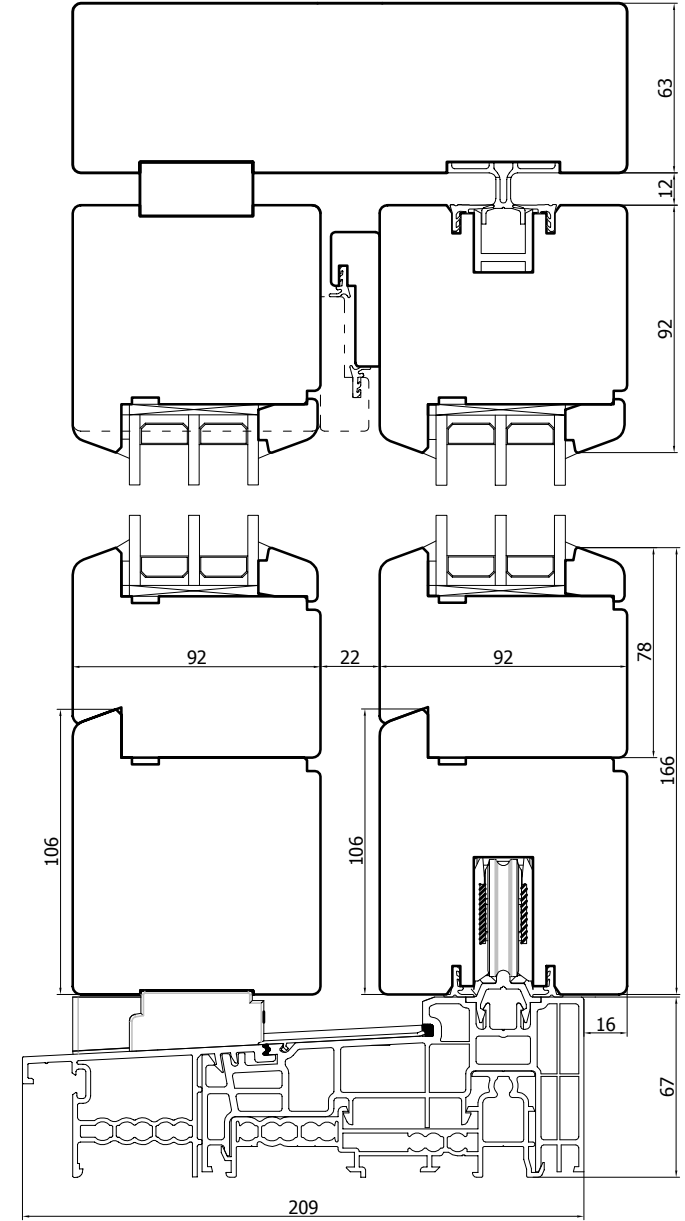
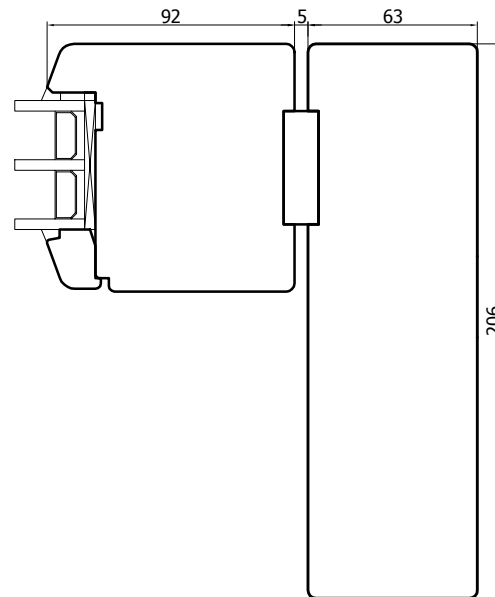
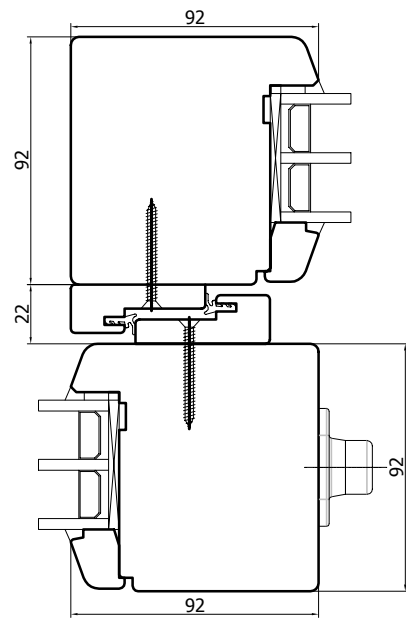
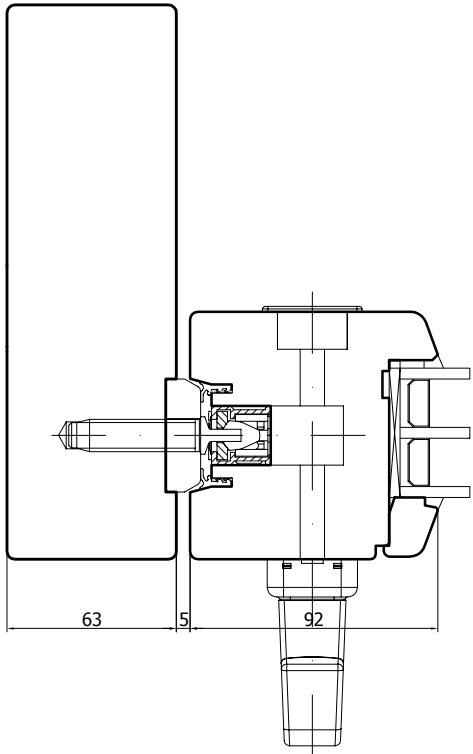


92 schemat A



PRÓG HS G-U THERMOSTEP