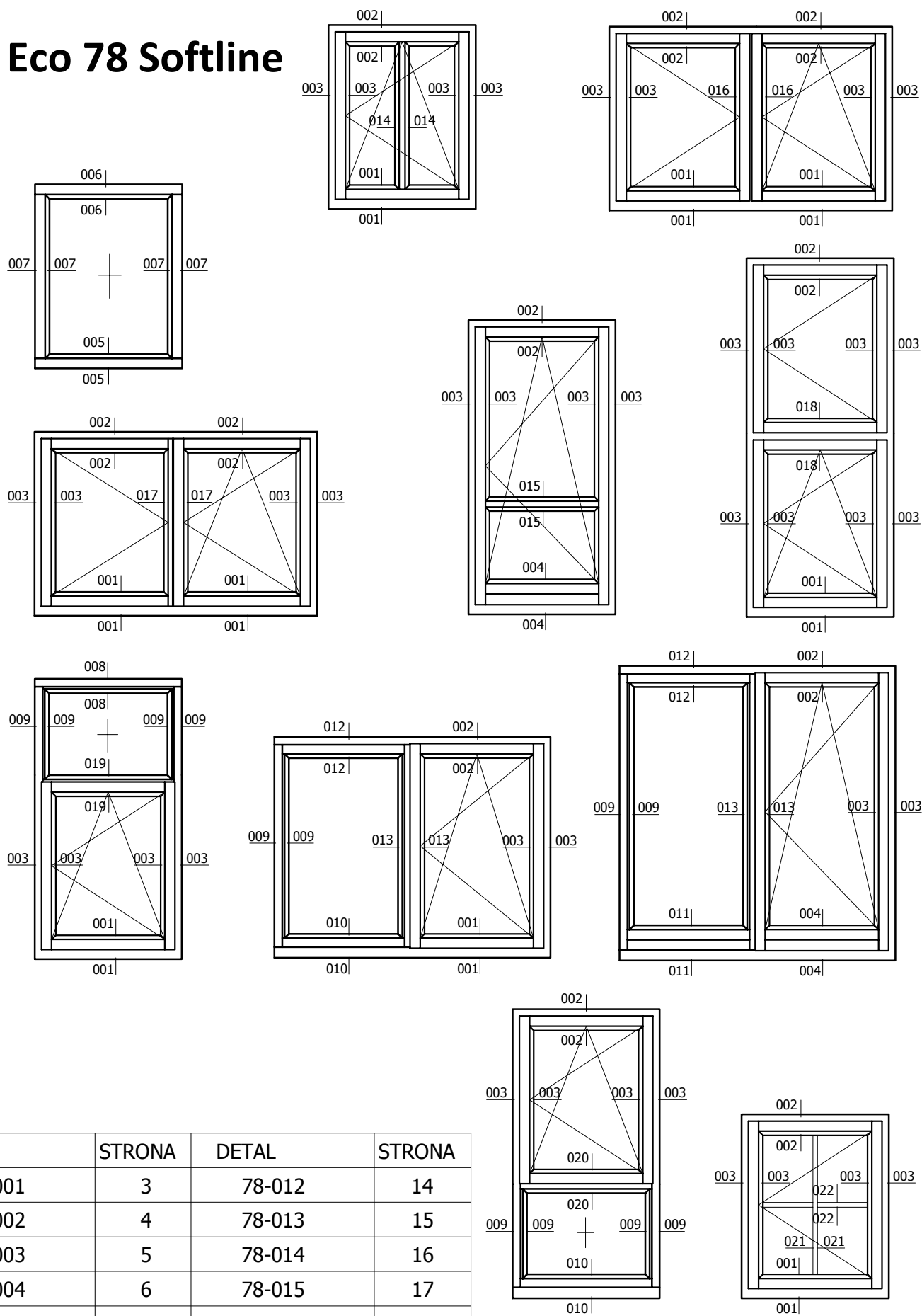
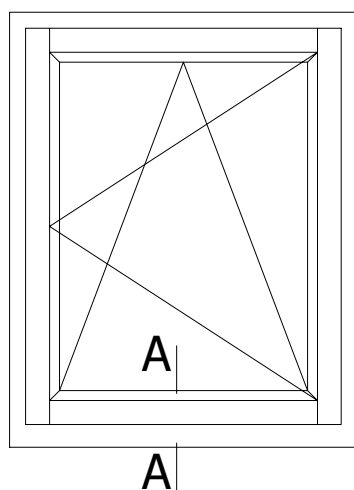


# Win Eco 78 Softline

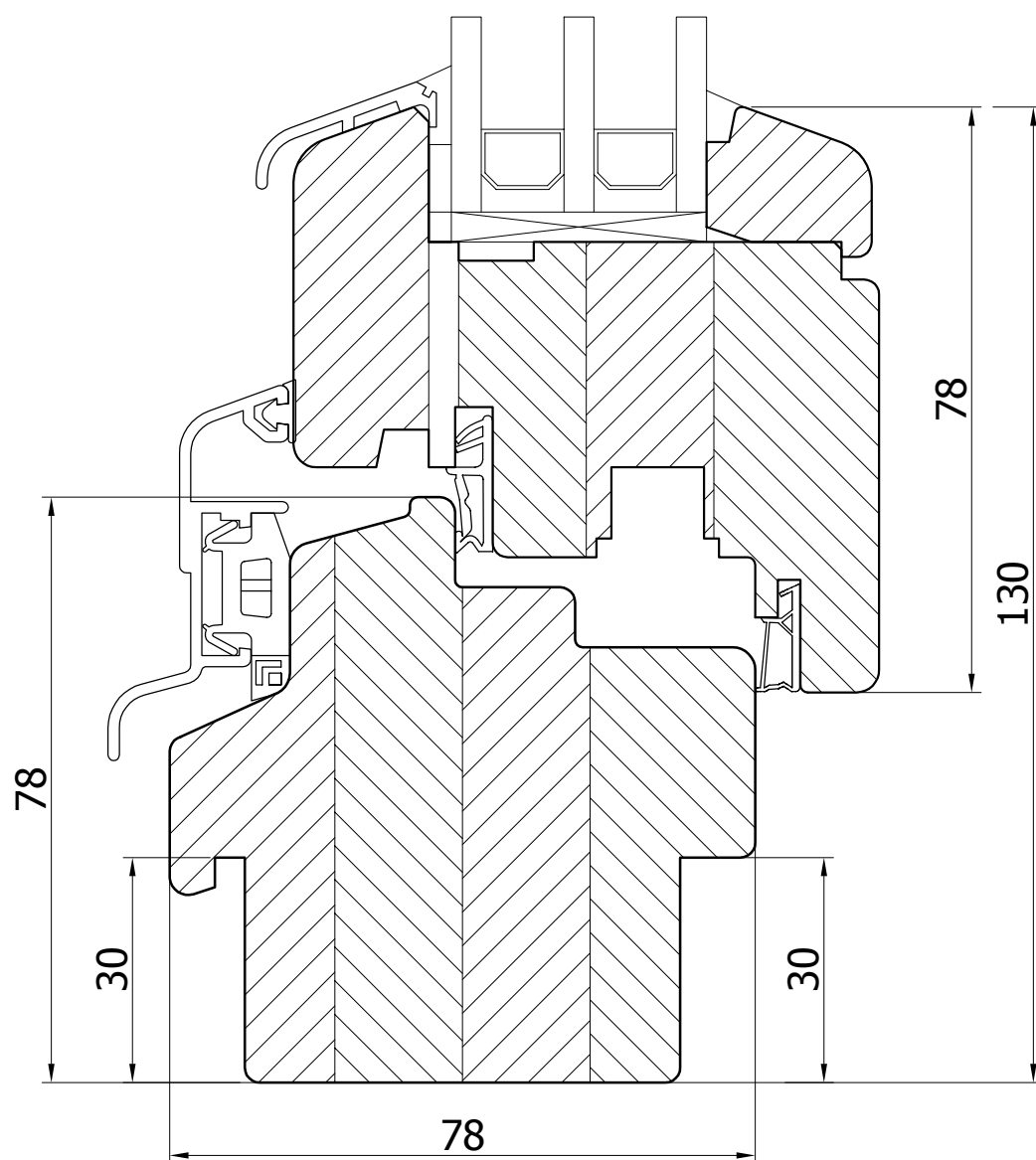


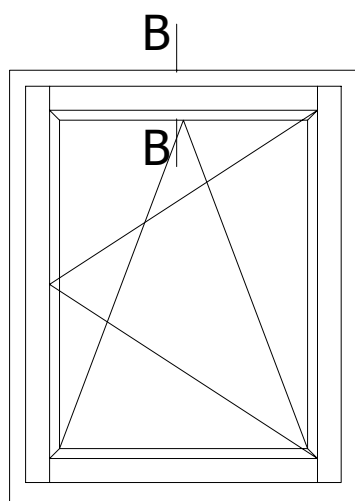
DETAL	STRONA	DETAL	STRONA
78-001	3	78-012	14
78-002	4	78-013	15
78-003	5	78-014	16
78-004	6	78-015	17
78-005	7	78-016	18
78-006	8	78-017	19
78-007	9	78-018	20
78-008	10	78-019	21
78-009	11	78-020	22
78-010	12	78-021	23
78-011	13	78-022	24



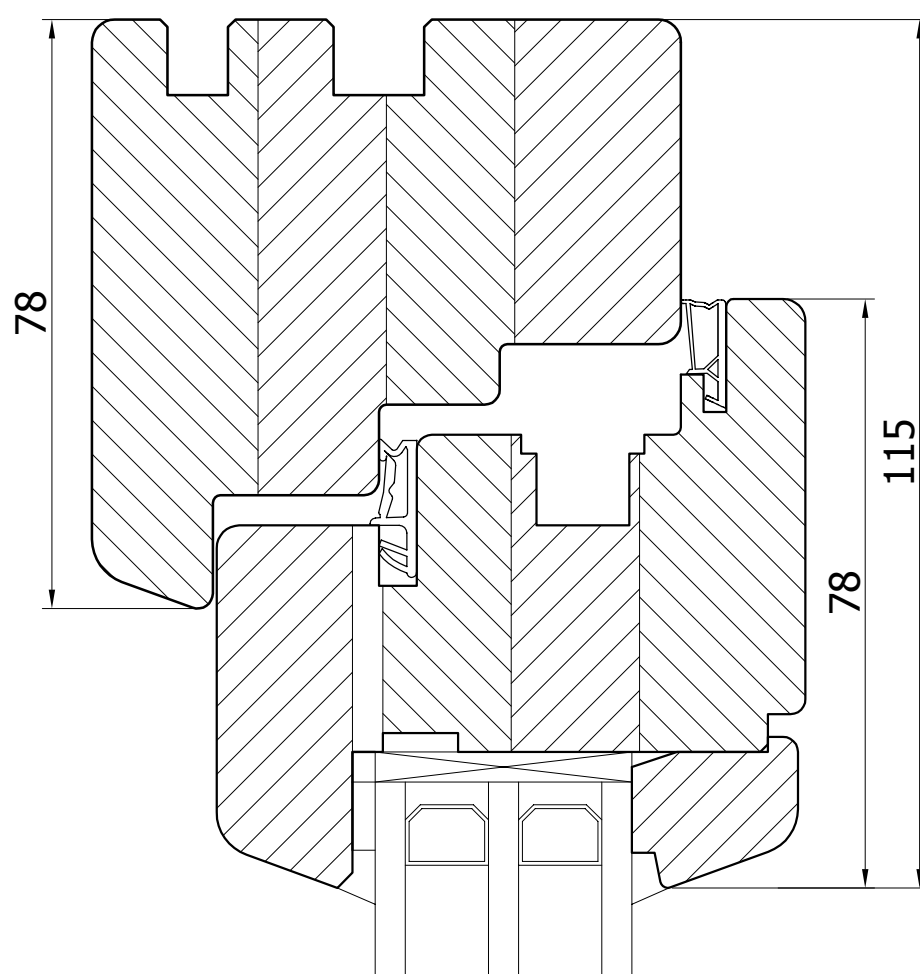


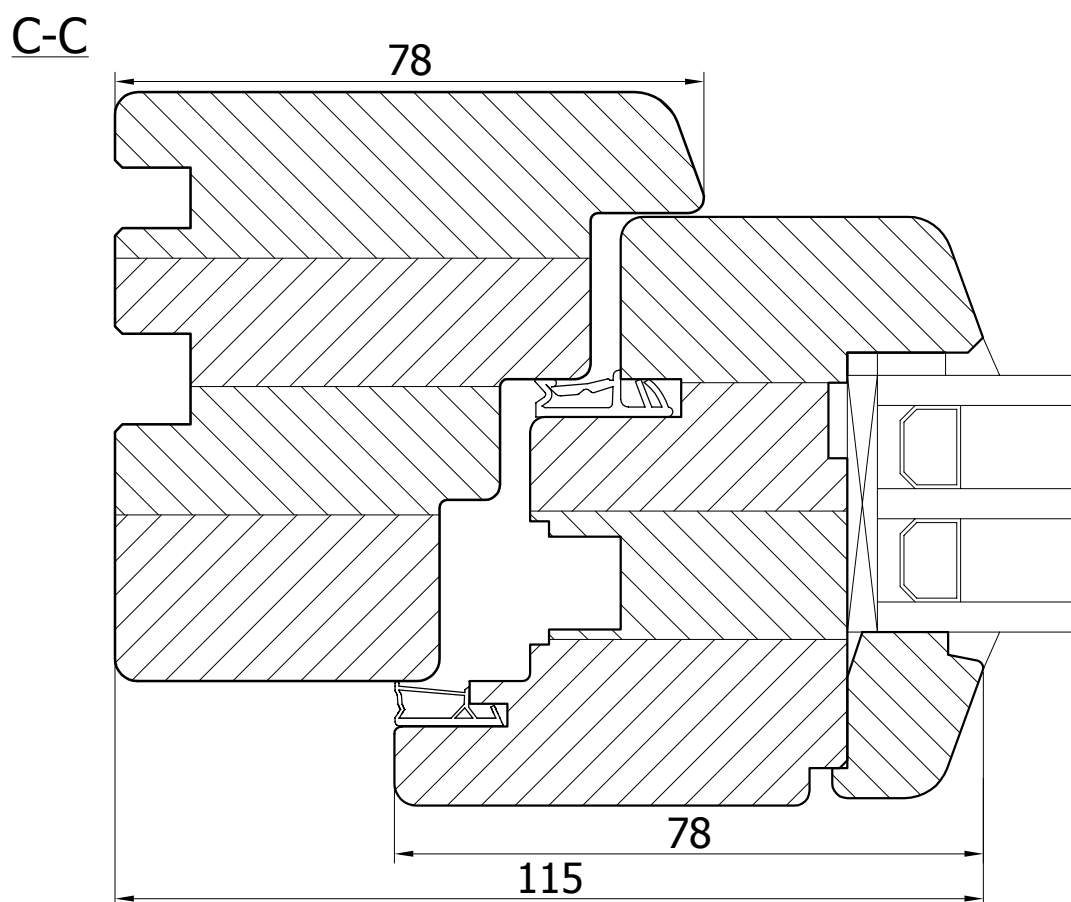
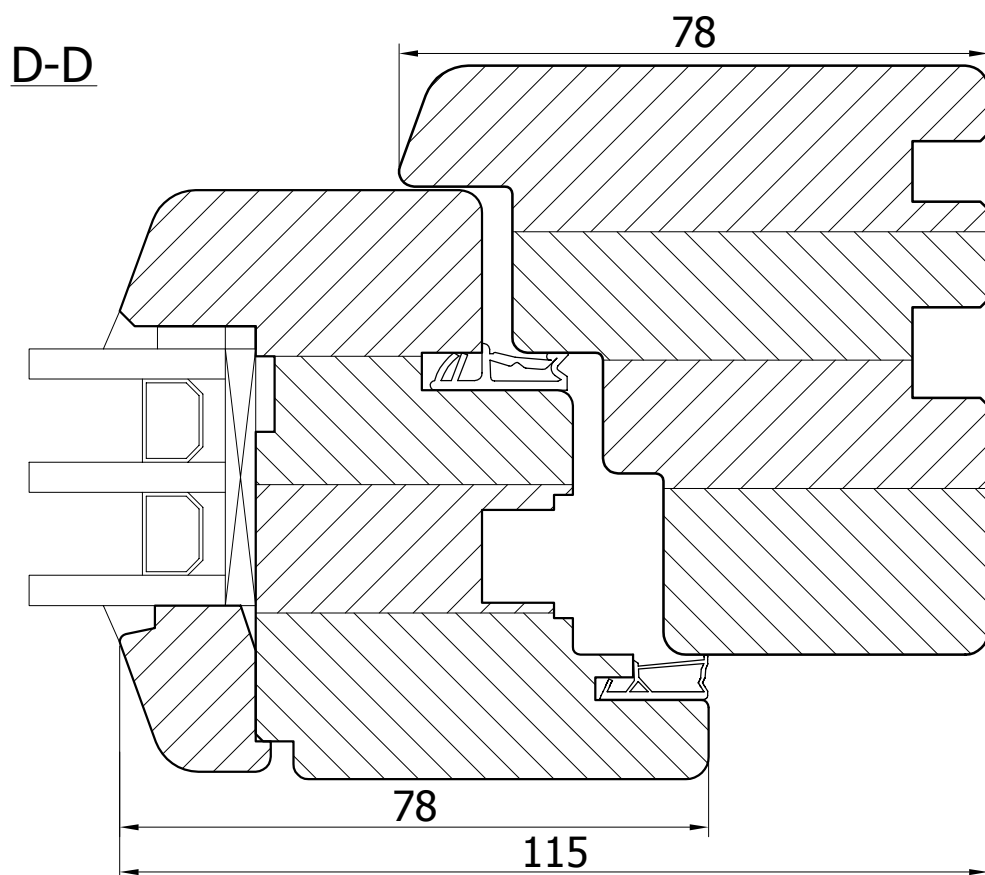
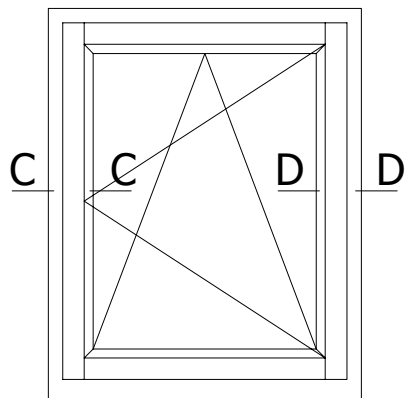
A-A

**Win Eco 78 Softline**



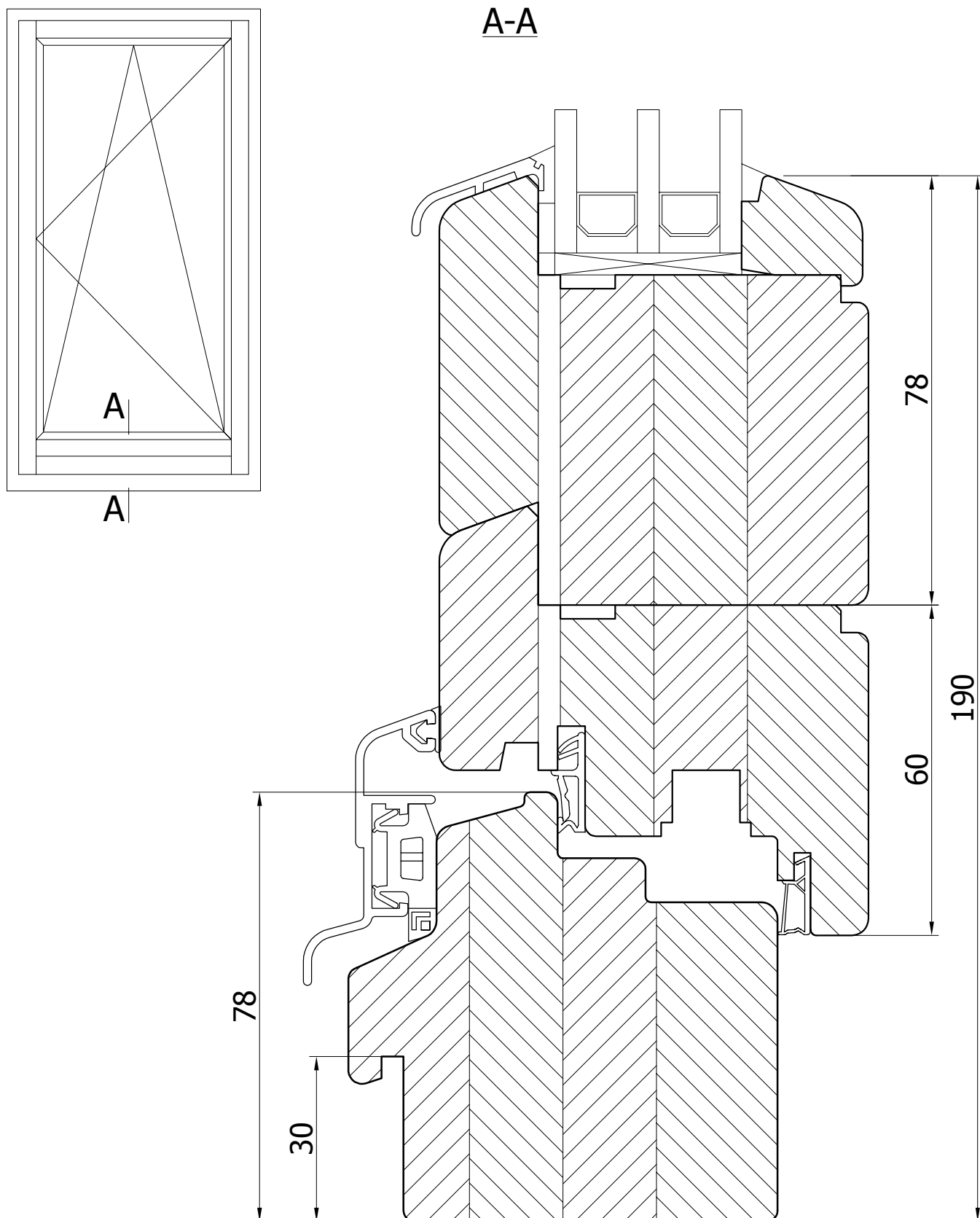
B-B

**Win Eco 78 Softline**



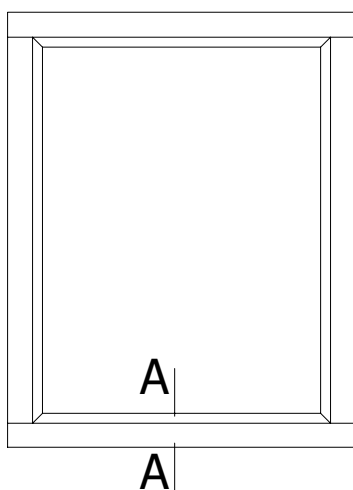
**Win Eco 78 Softline**



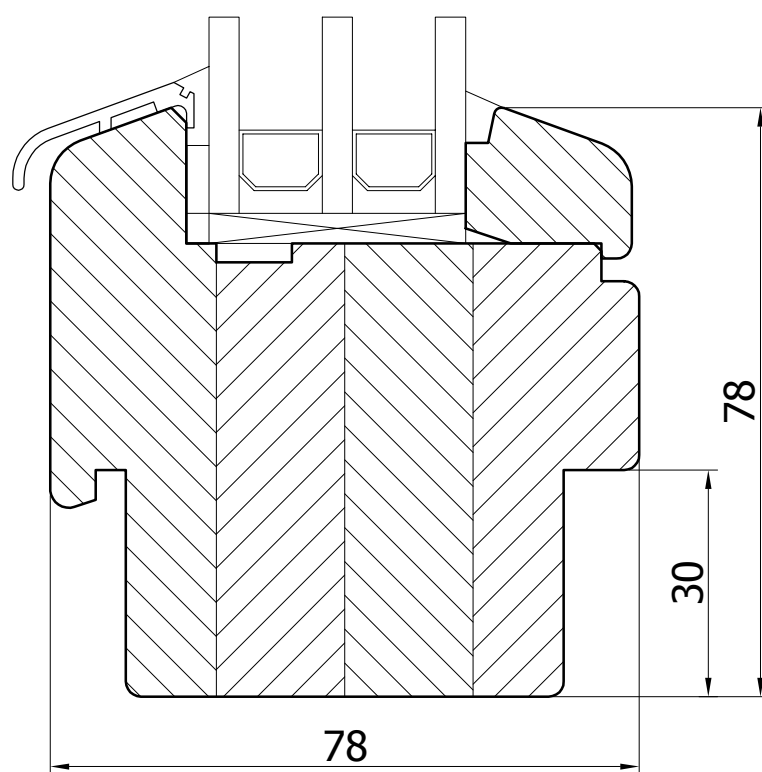


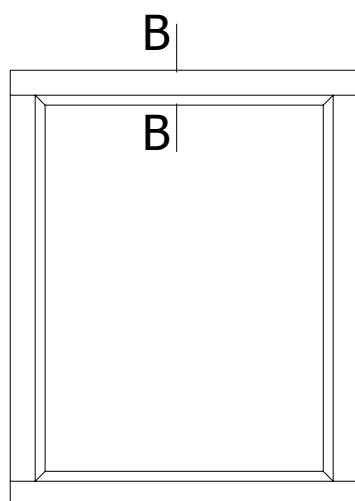
**Win Eco 78 Softline**



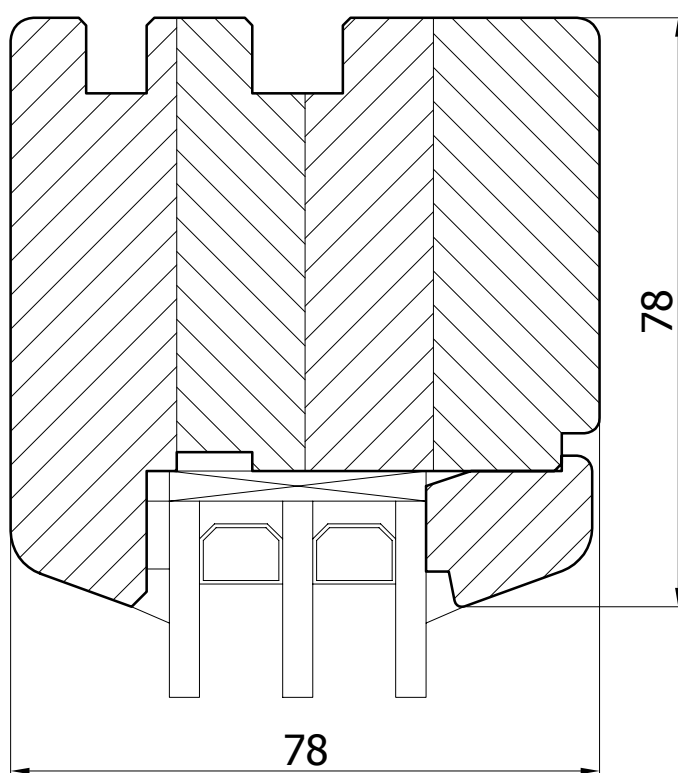


A-A

**Win Eco 78 Softline**

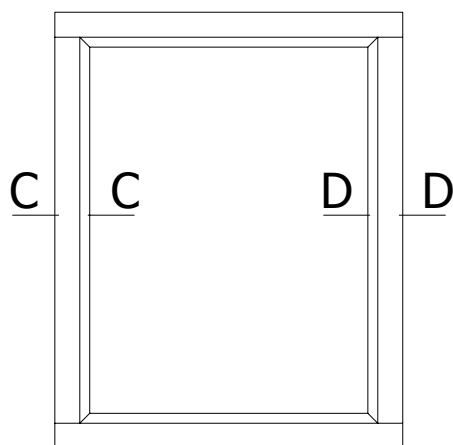


B-B

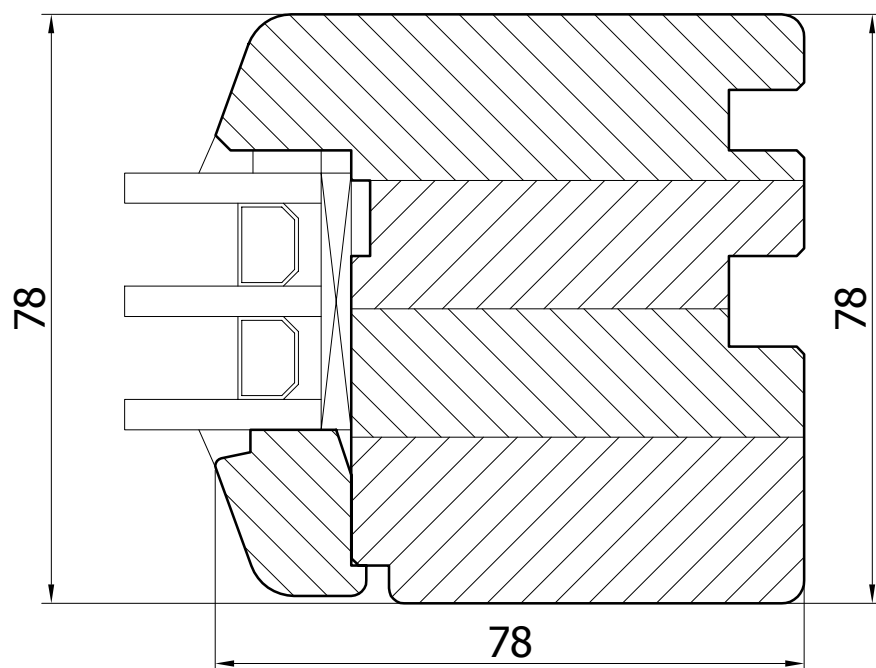


**Win Eco 78 Softline**

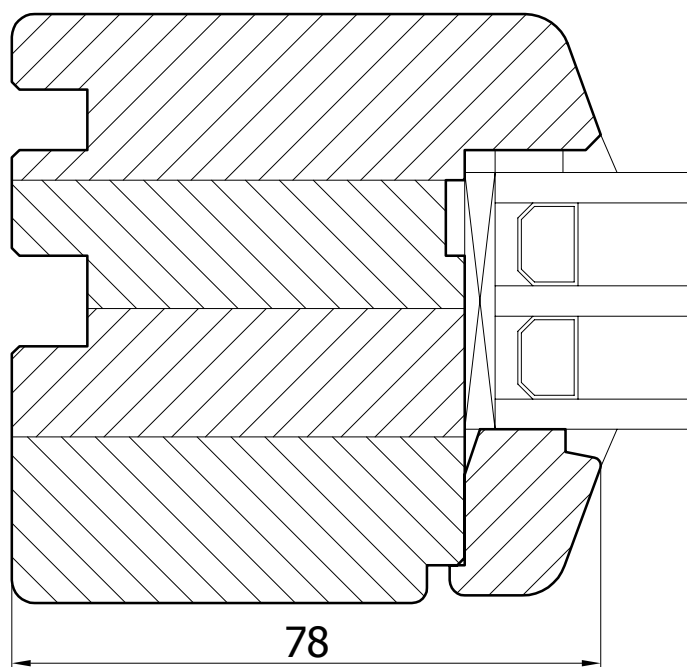




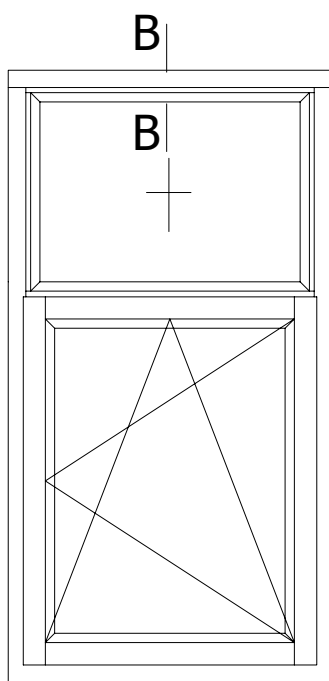
D-D



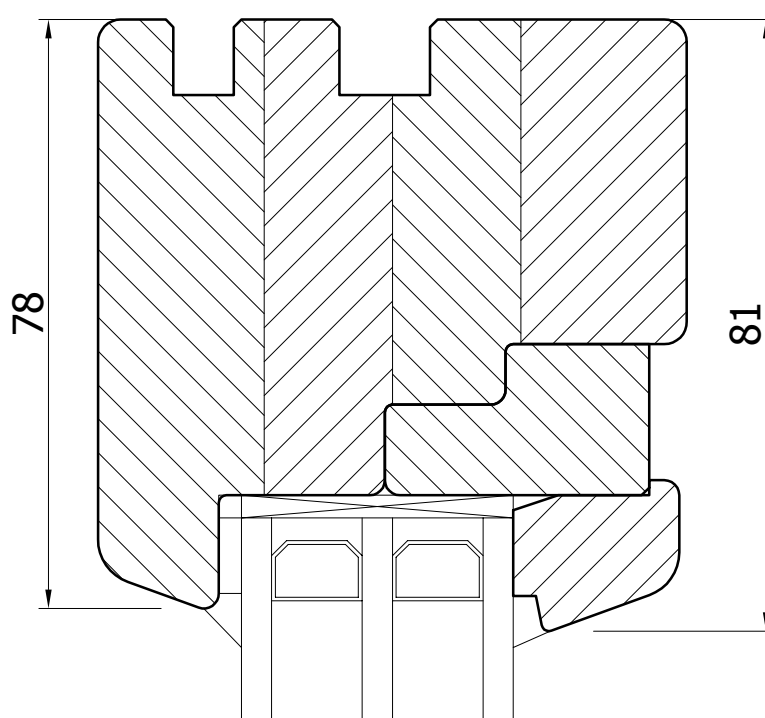
C-C

**Win Eco 78 Softline**



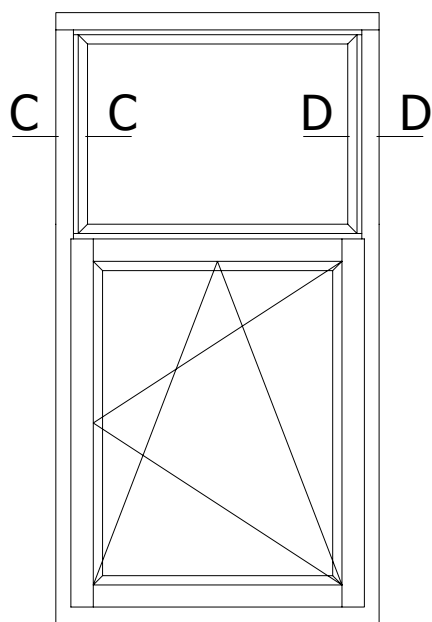


B-B

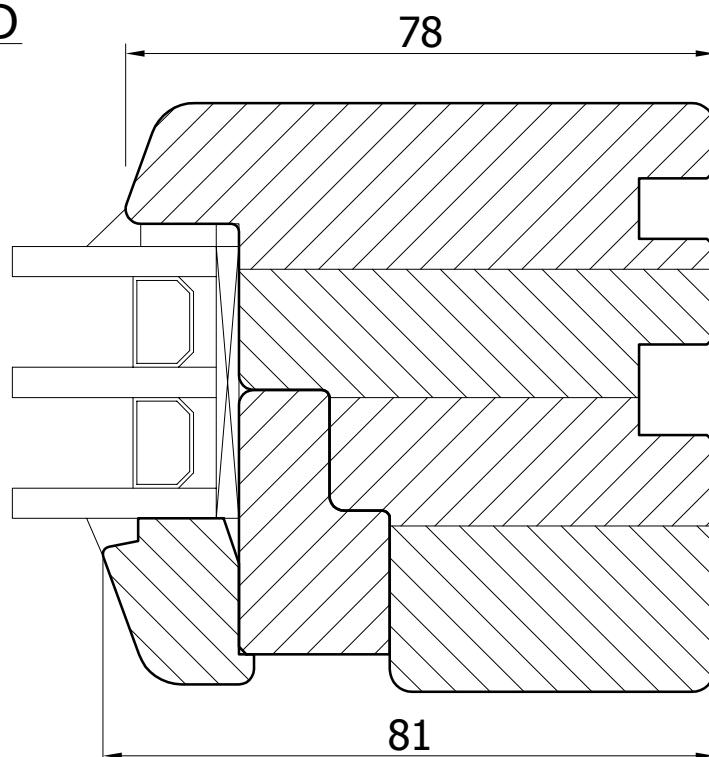


**Win Eco 78 Softline**

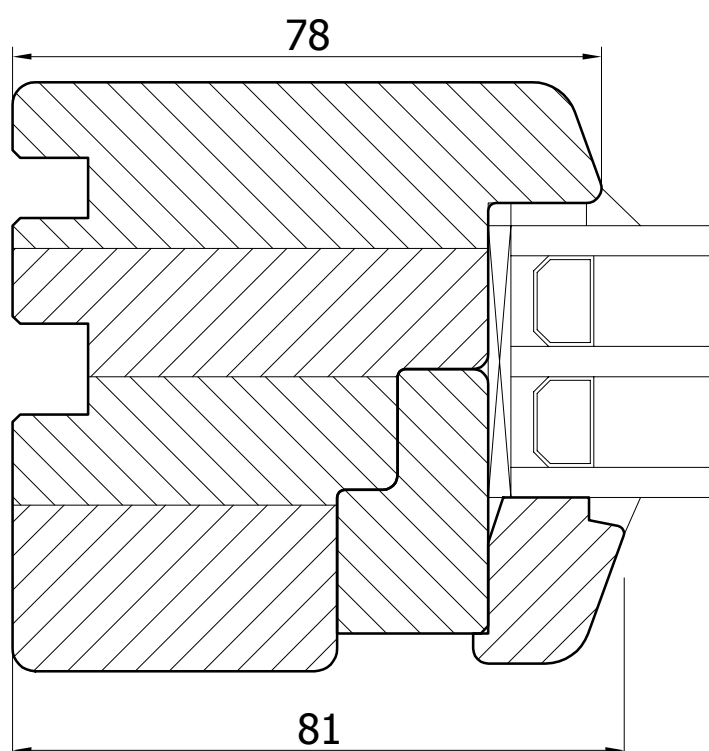


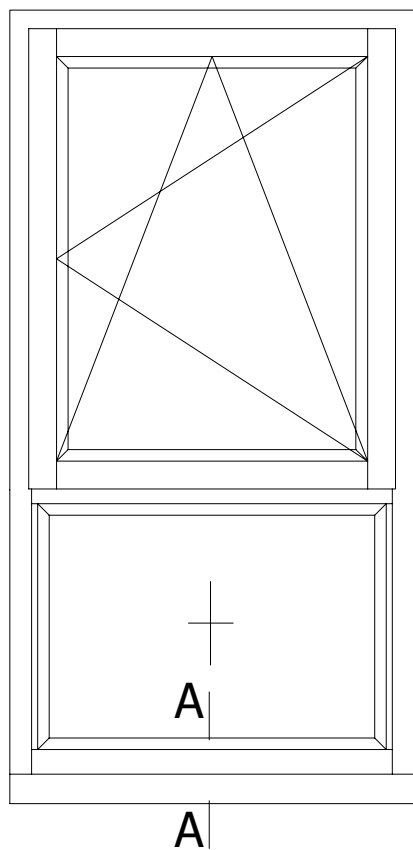


D-D

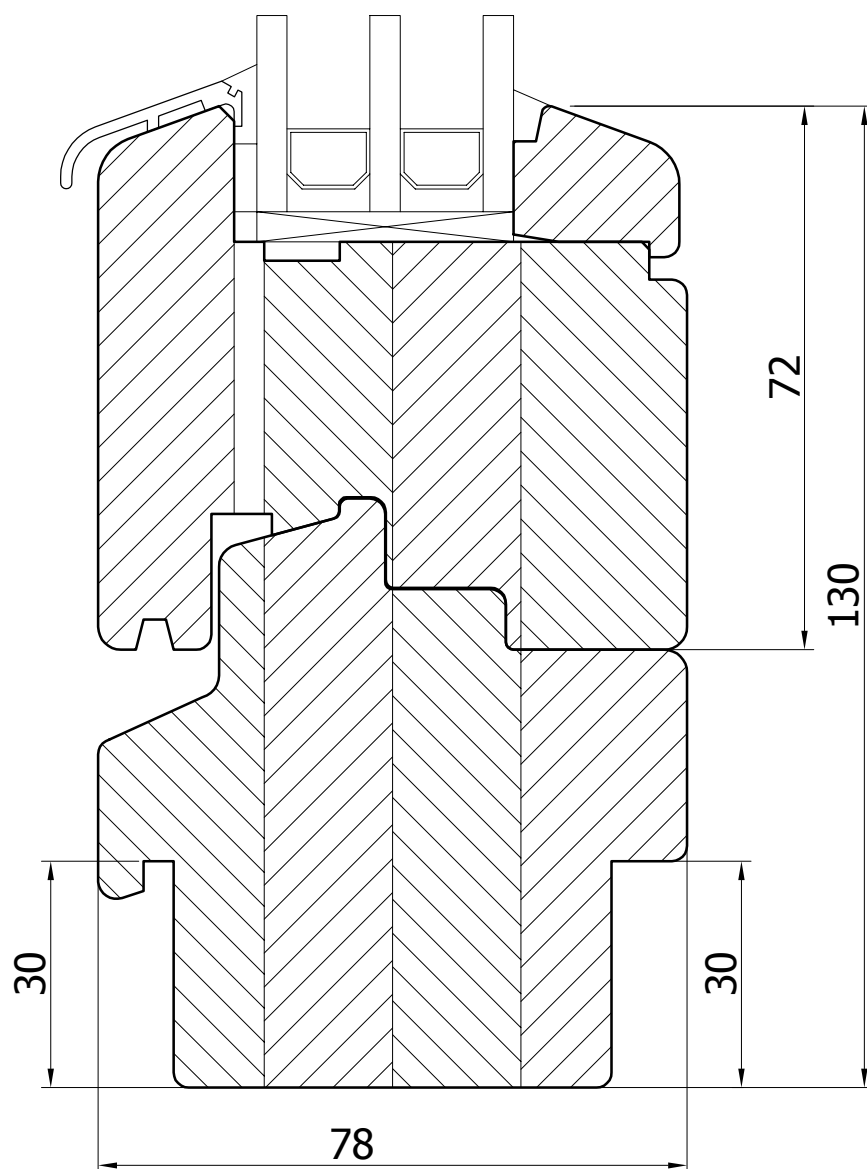


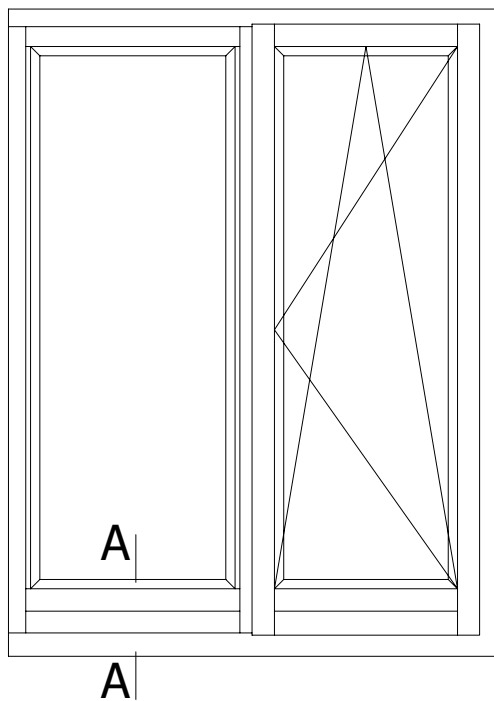
C-C

**Win Eco 78 Softline**

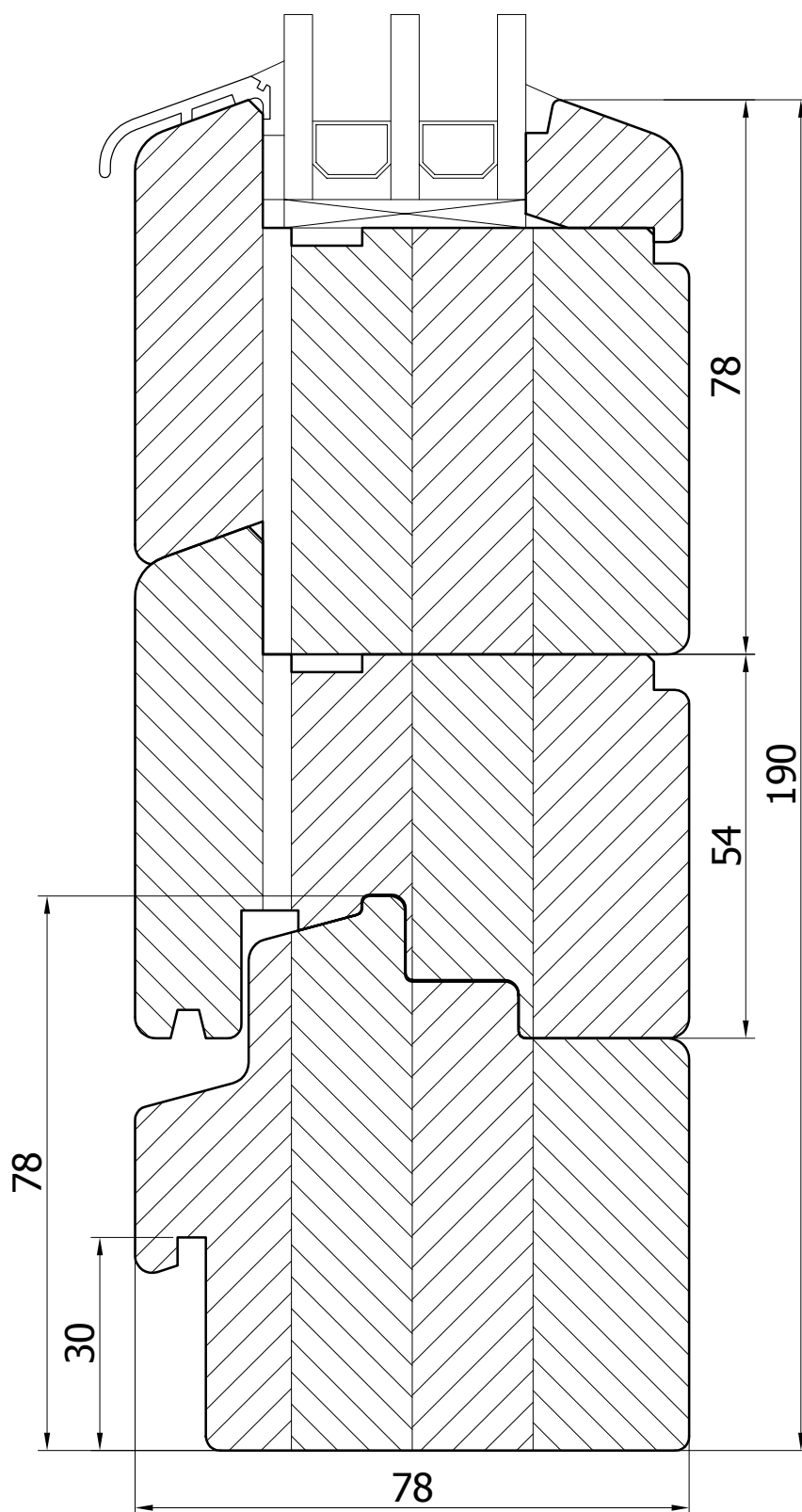


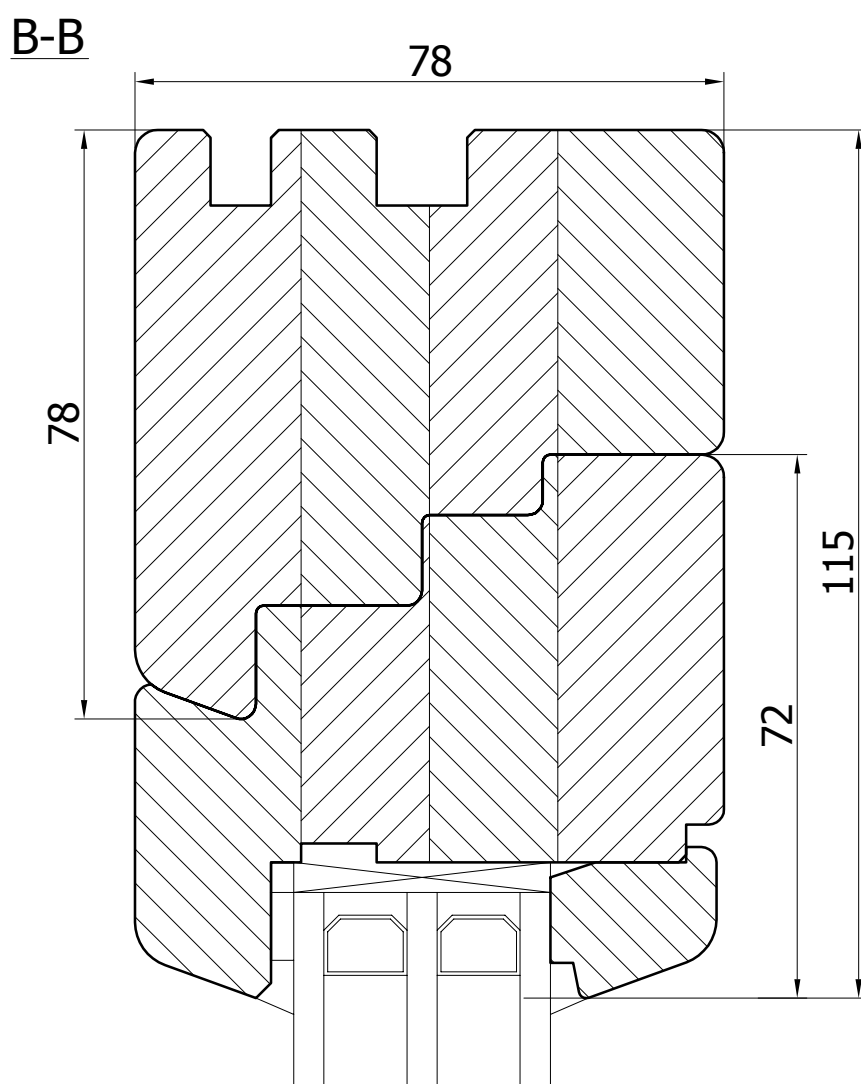
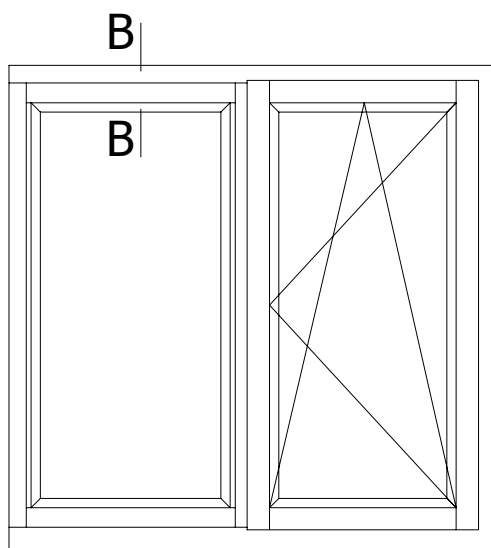
A-A

**Win Eco 78 Softline**



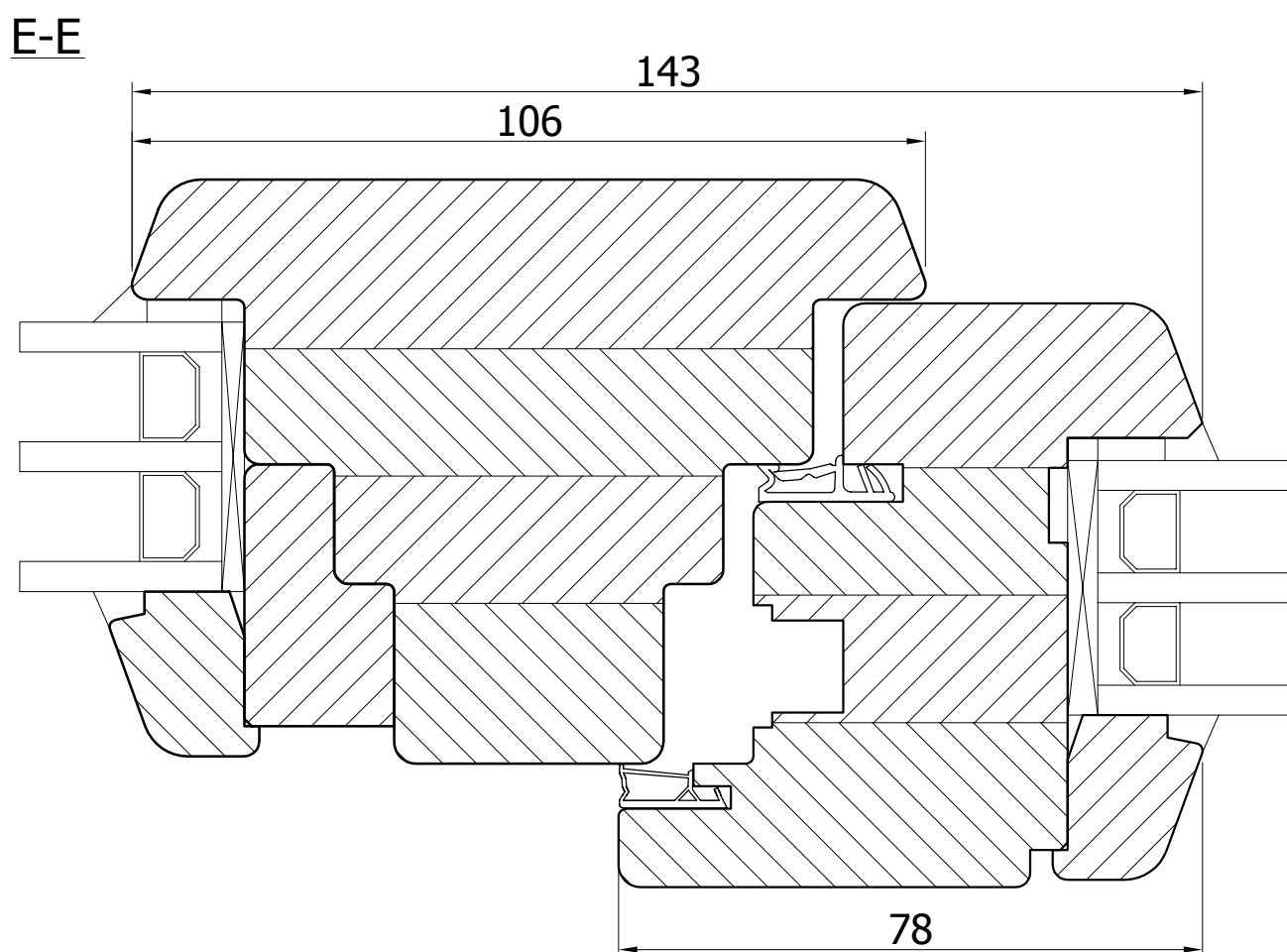
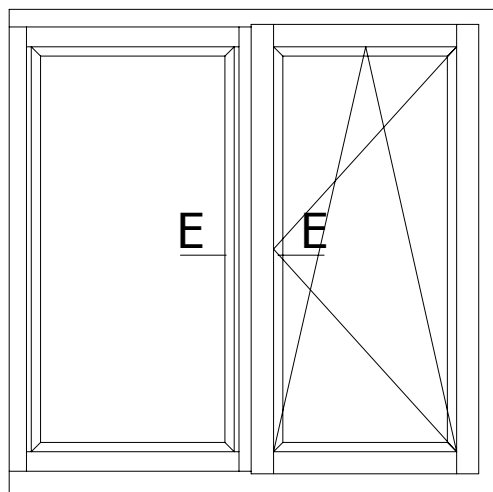
A-A

**Win Eco 78 Softline**



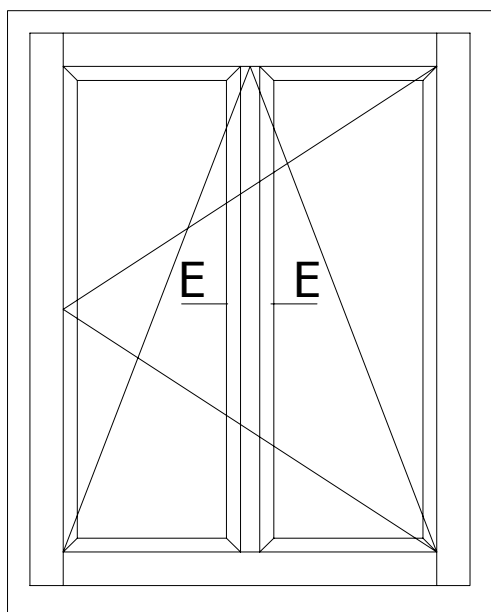
**Win Eco 78 Softline**



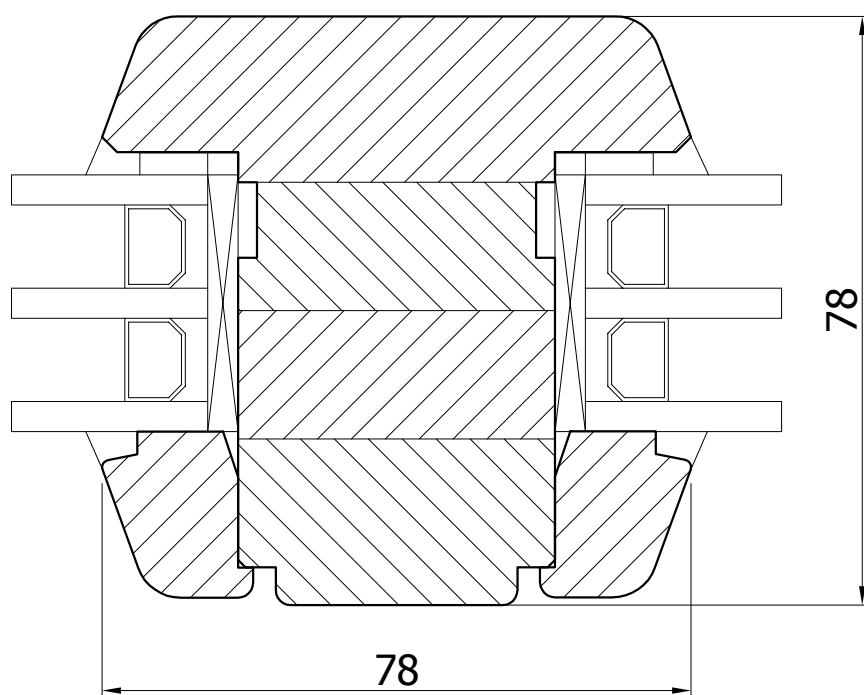


**Win Eco 78 Softline**



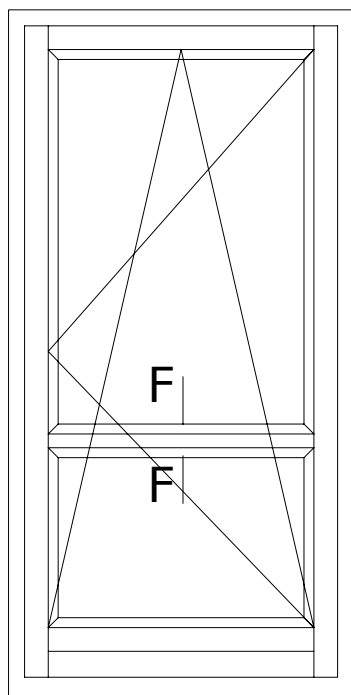


E-E

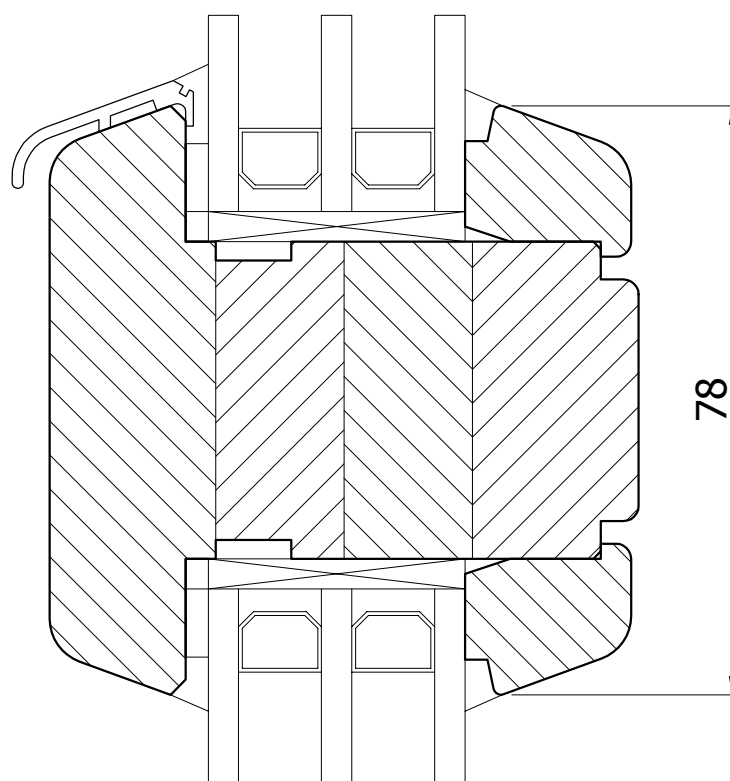


**Win Eco 78 Softline**

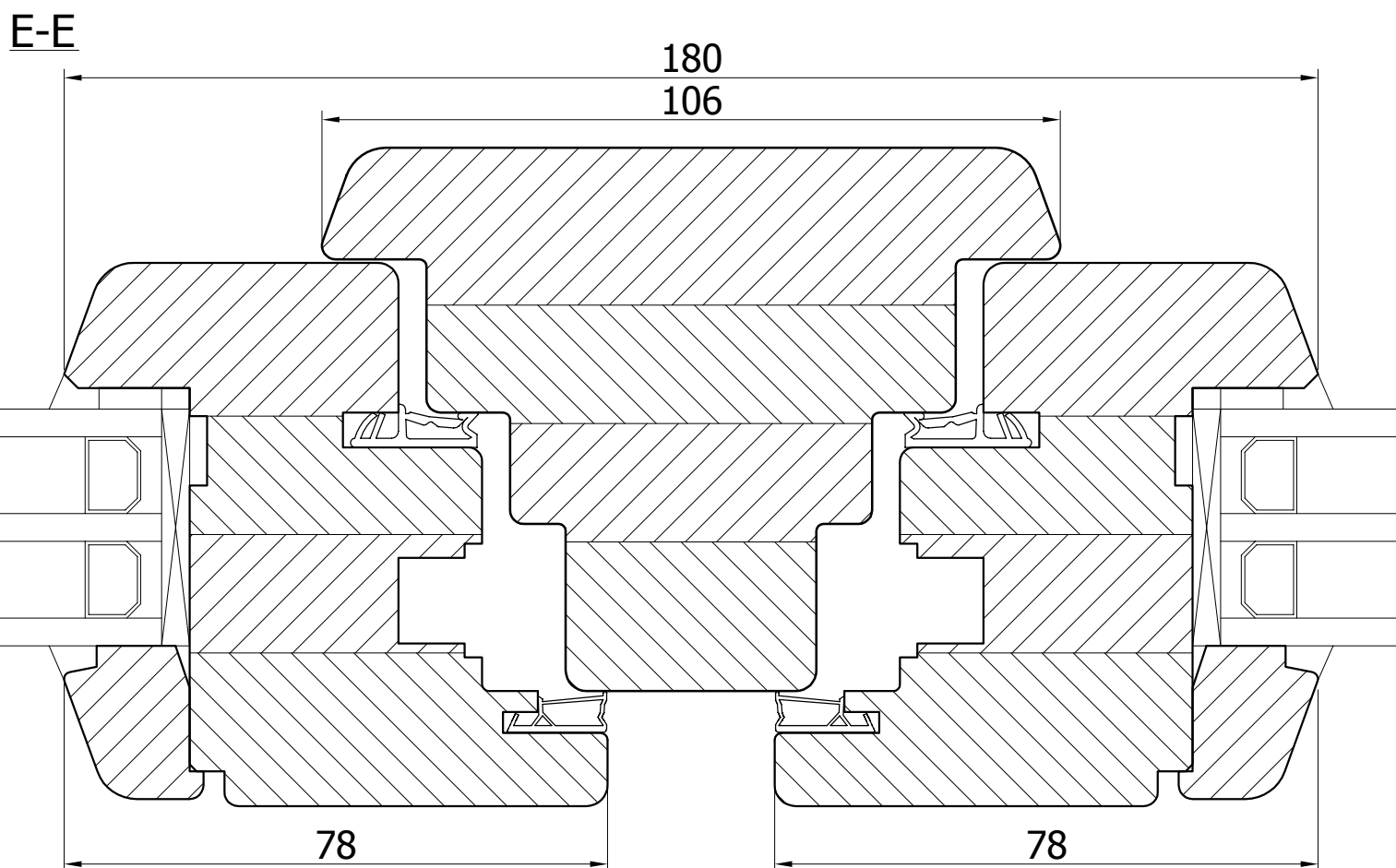
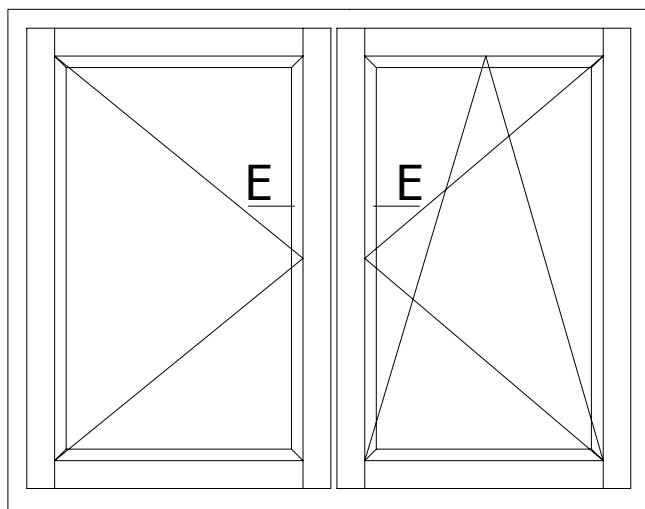




F-F

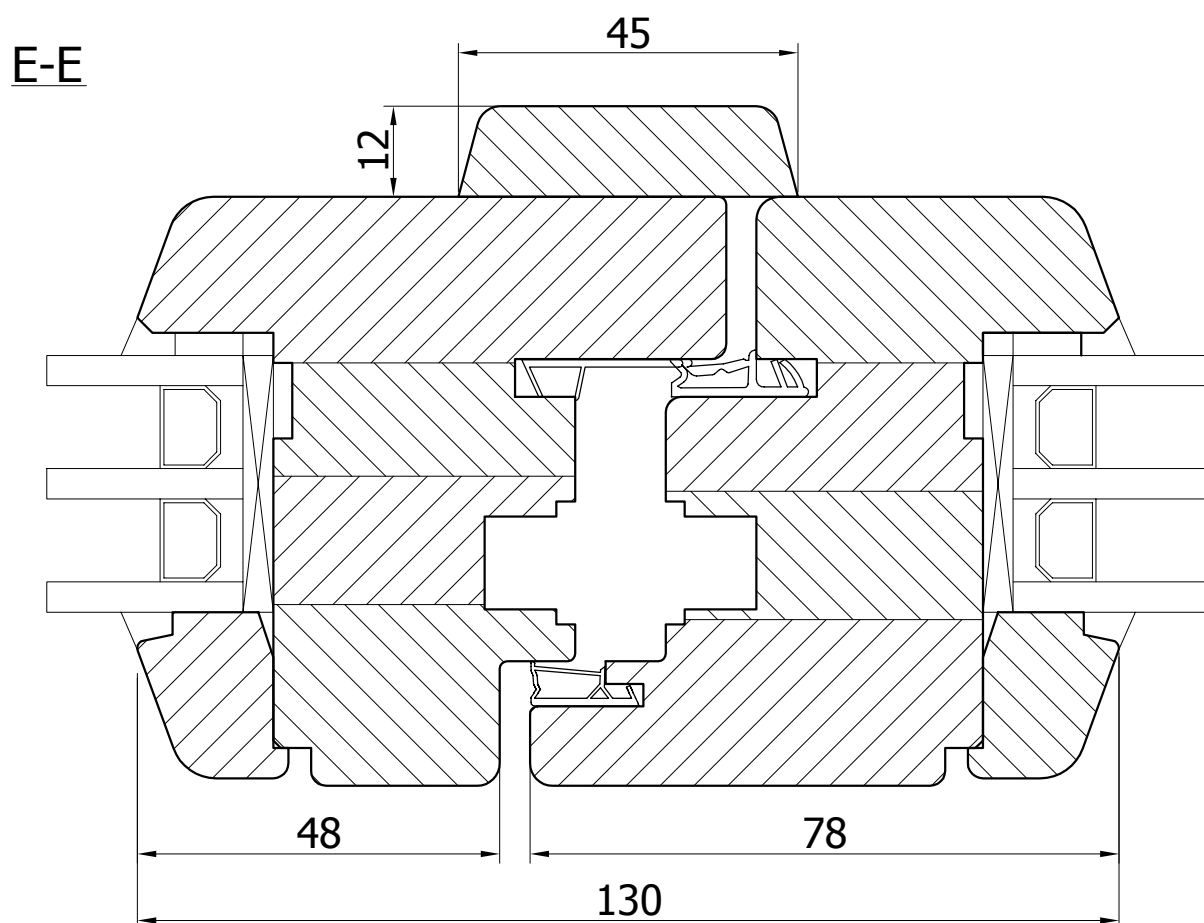
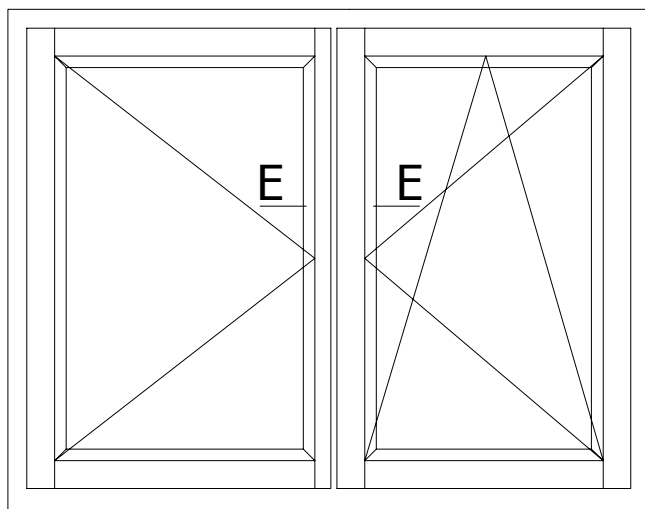
**Win Eco 78 Softline**





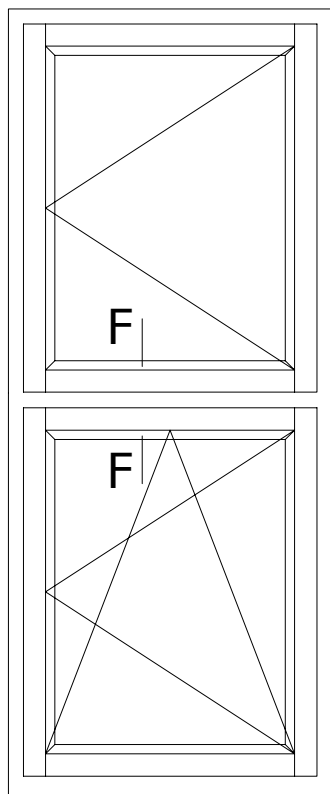
**Win Eco 78 Softline**



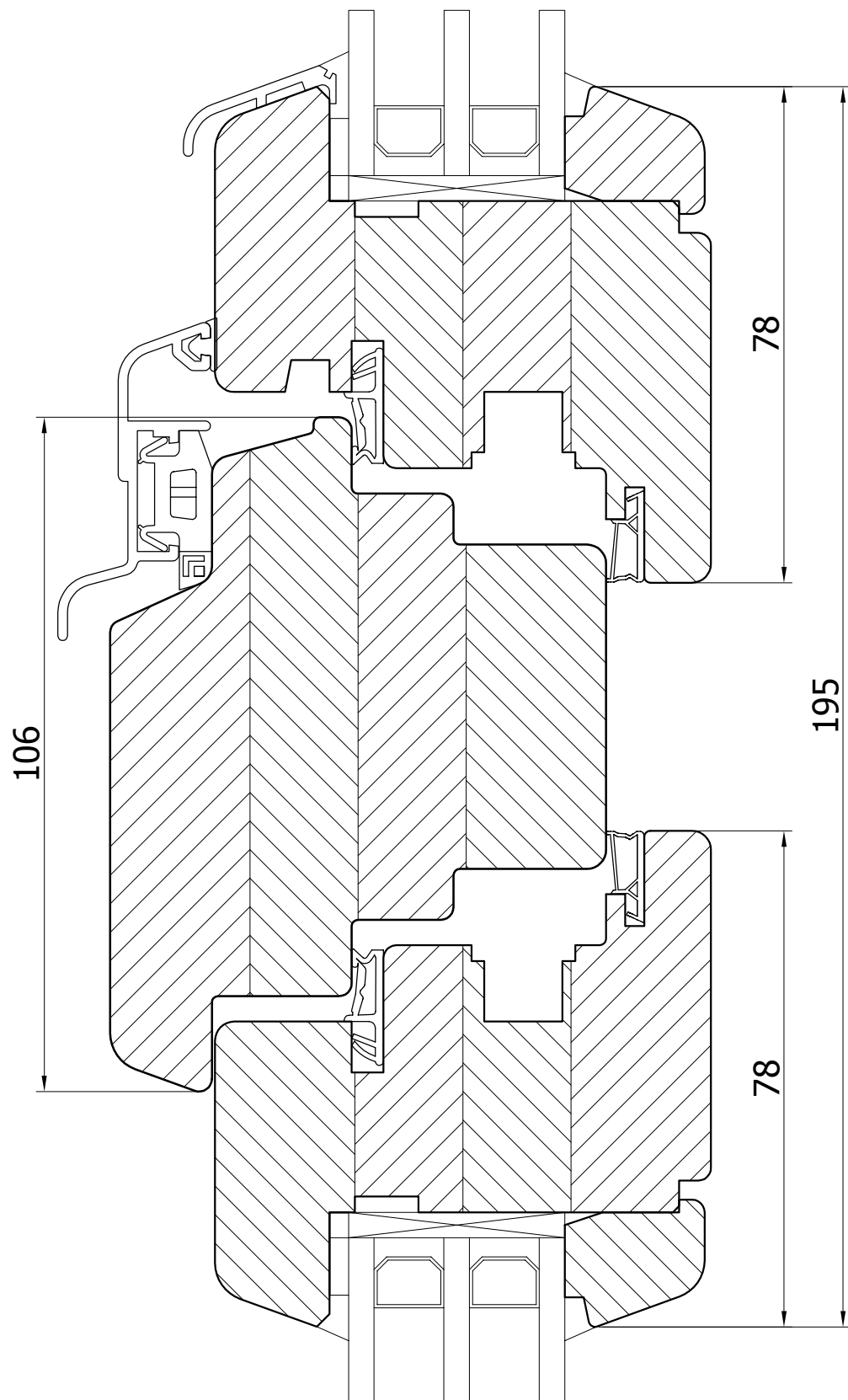


**Win Eco 78 Softline**



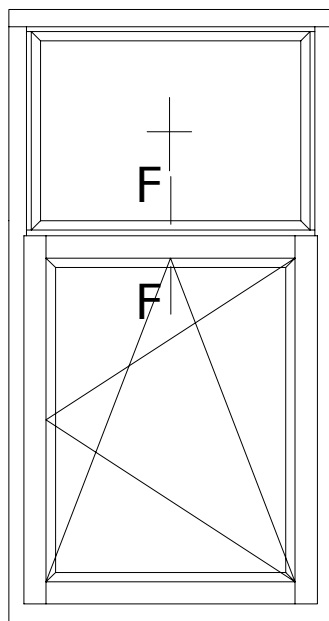


F-F

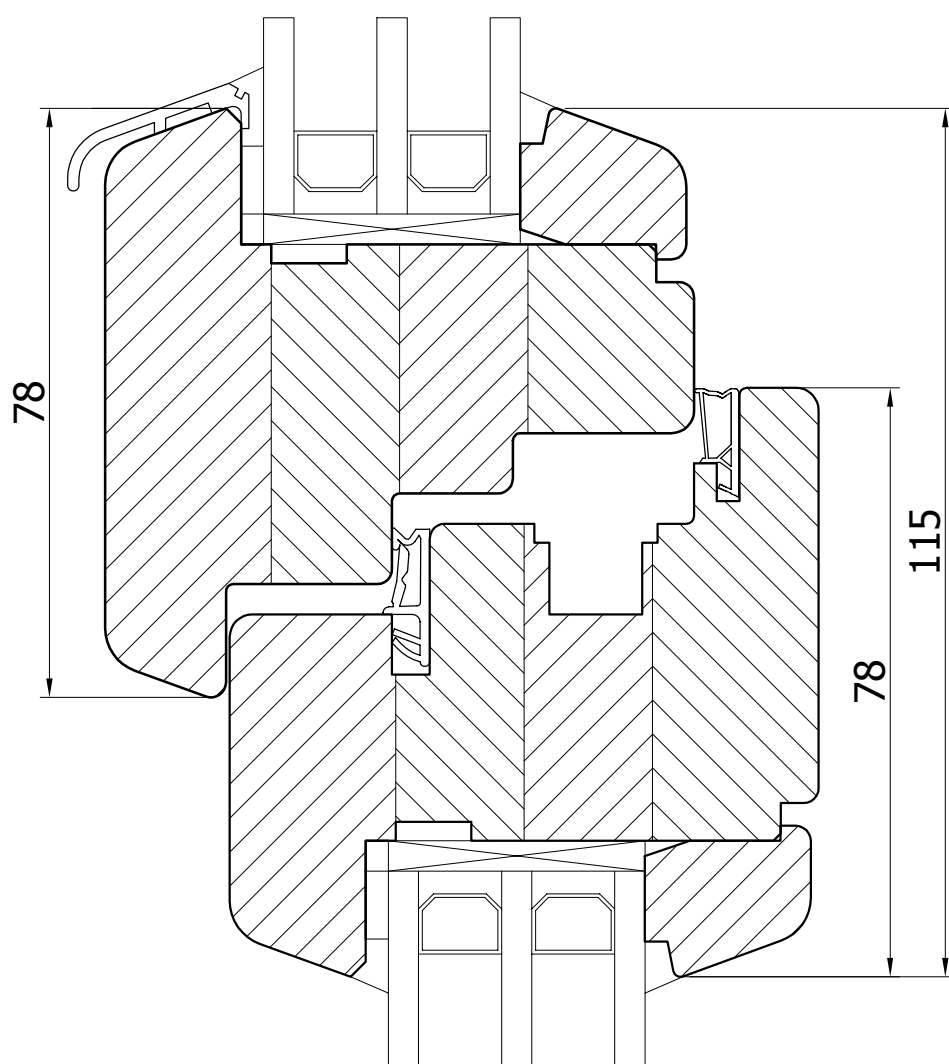


**Win Eco 78 Softline**



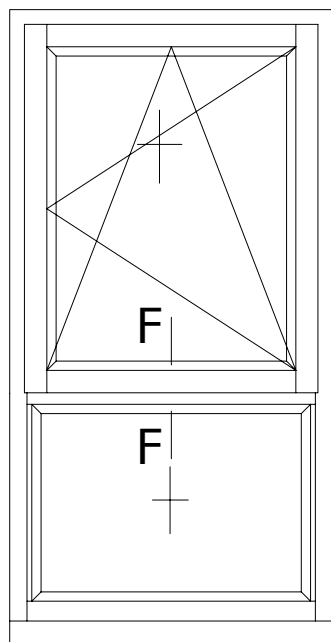


F-F

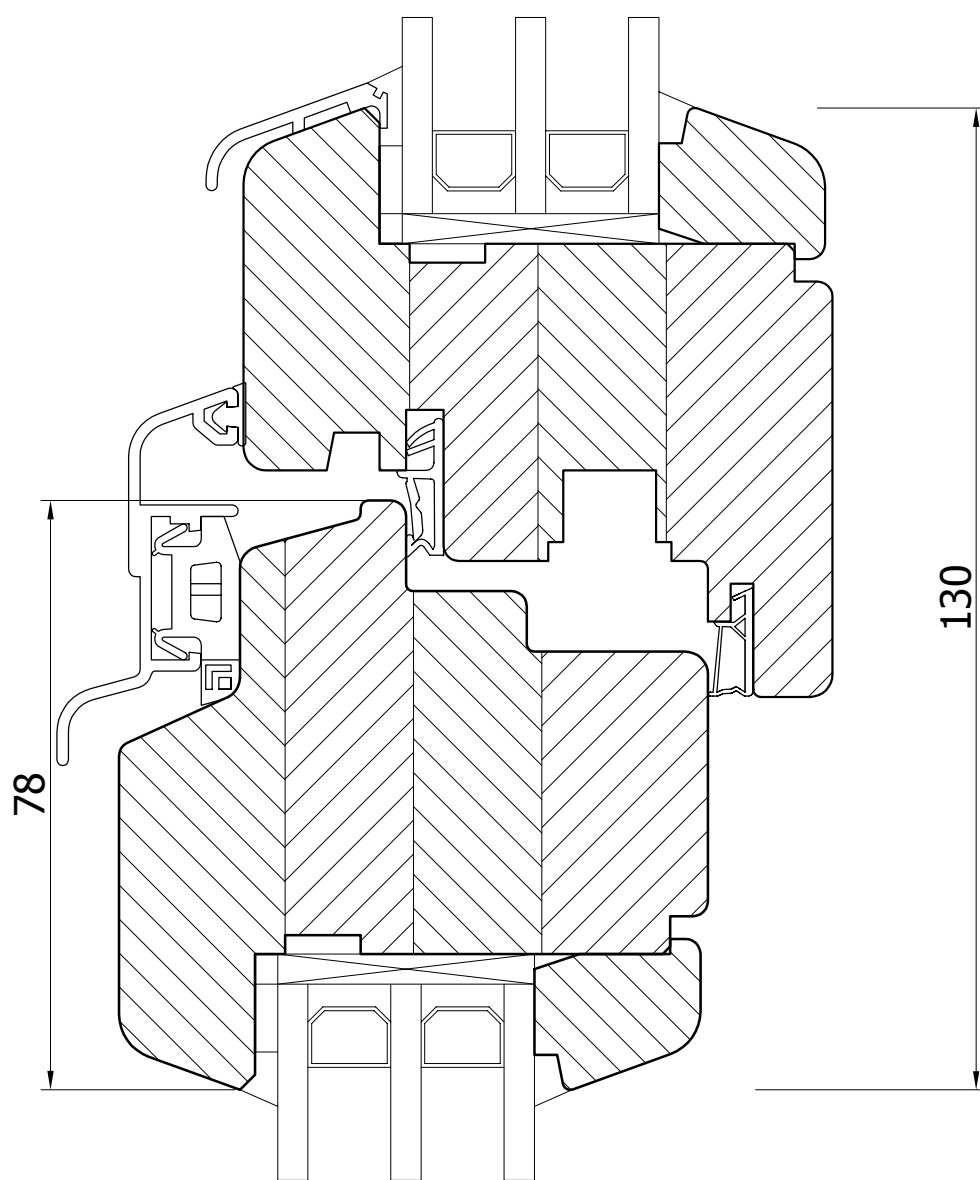


**Win Eco 78 Softline**



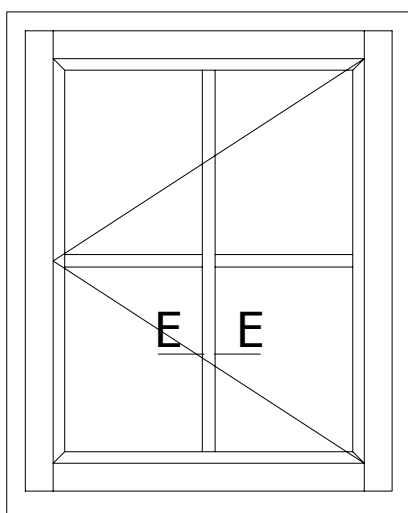


F-F

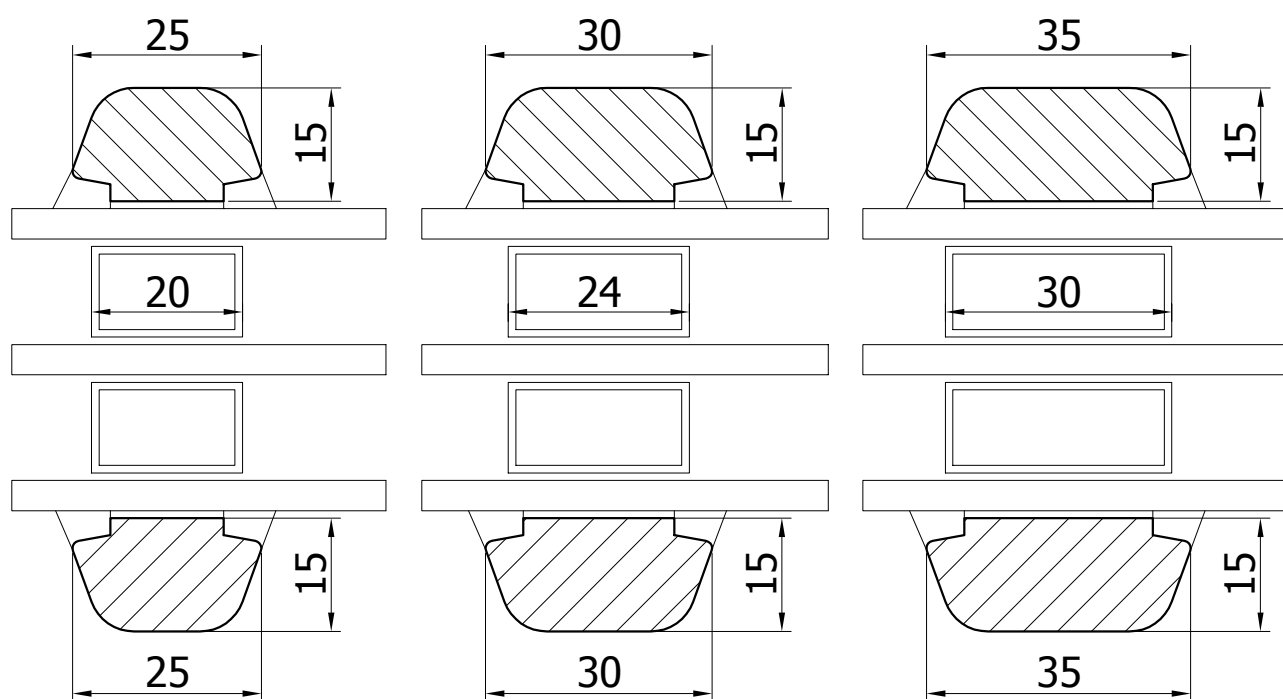


**Win Eco 78 Softline**



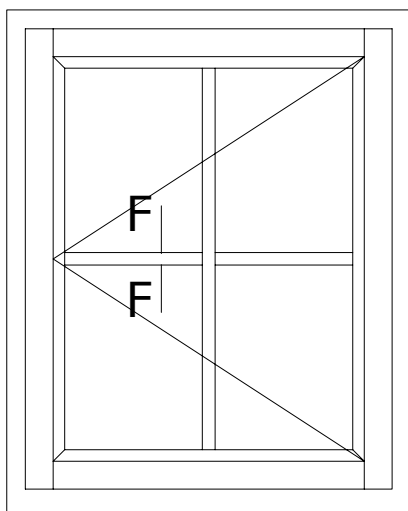


E-E

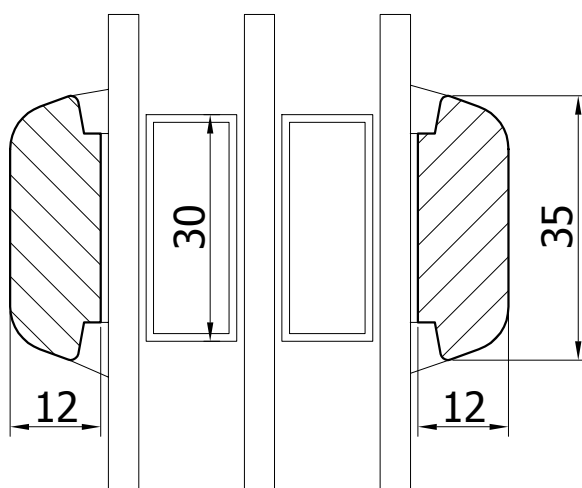
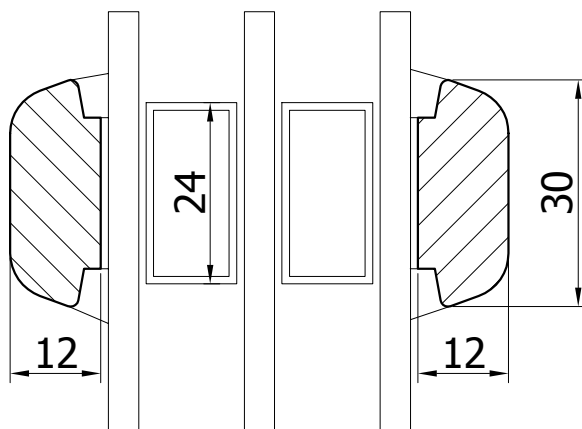
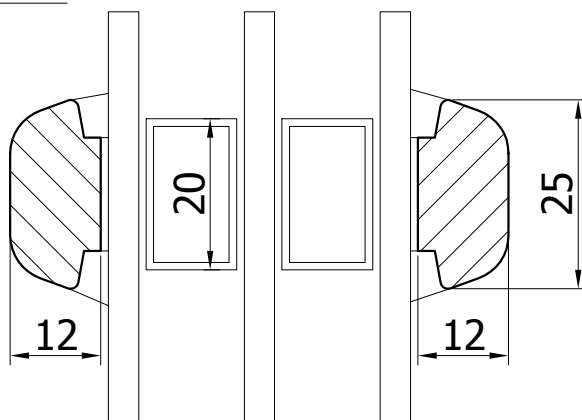


**Win Eco 78 Softline**





F-F

**Win Eco 78 Softline**