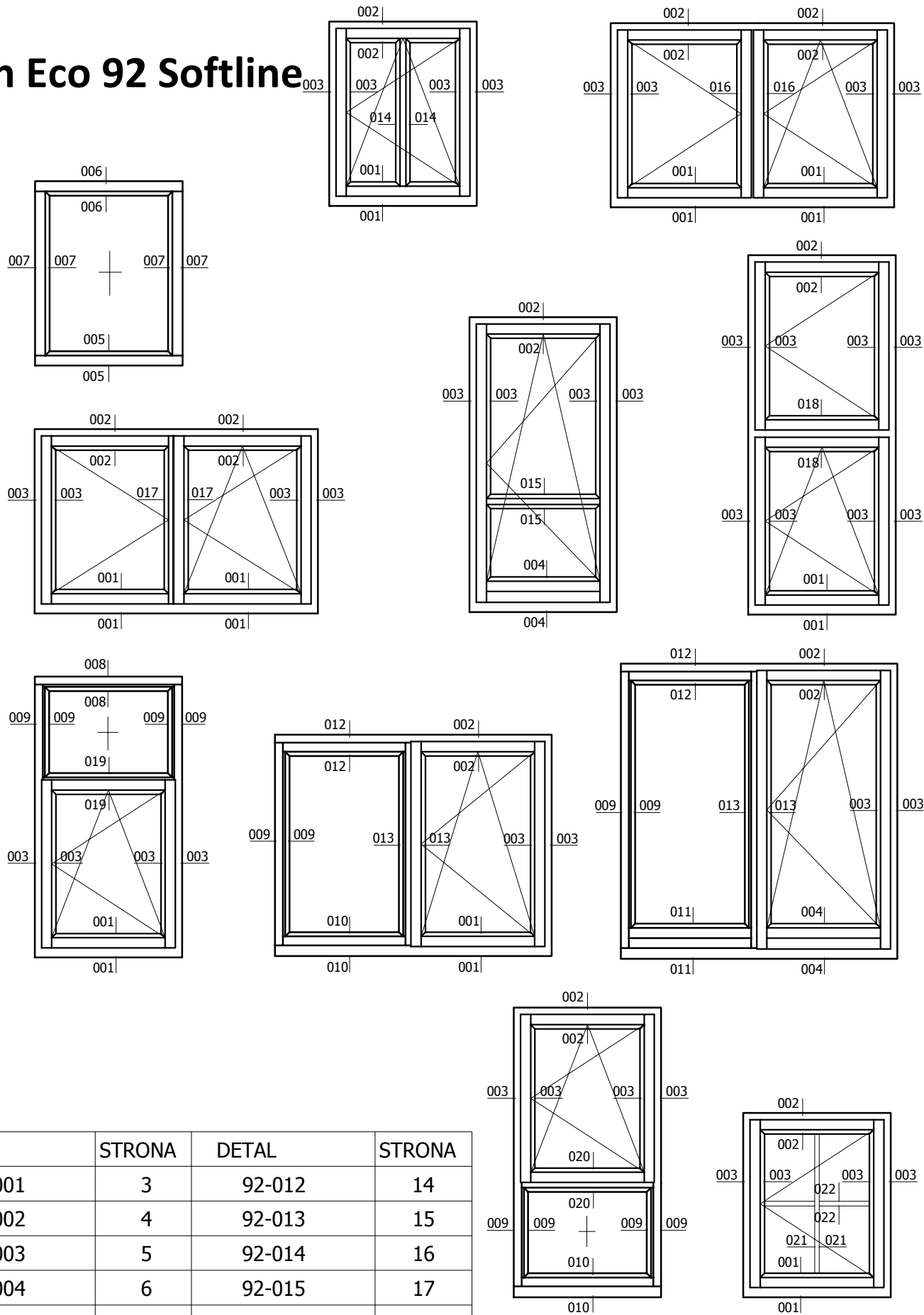
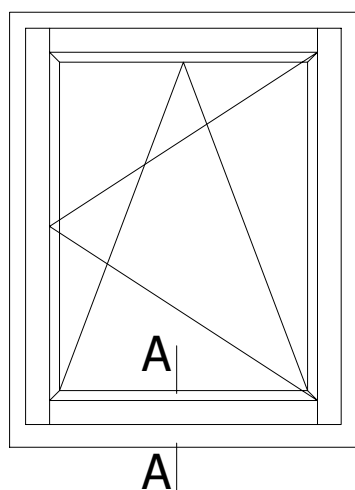


# Win Eco 92 Softline

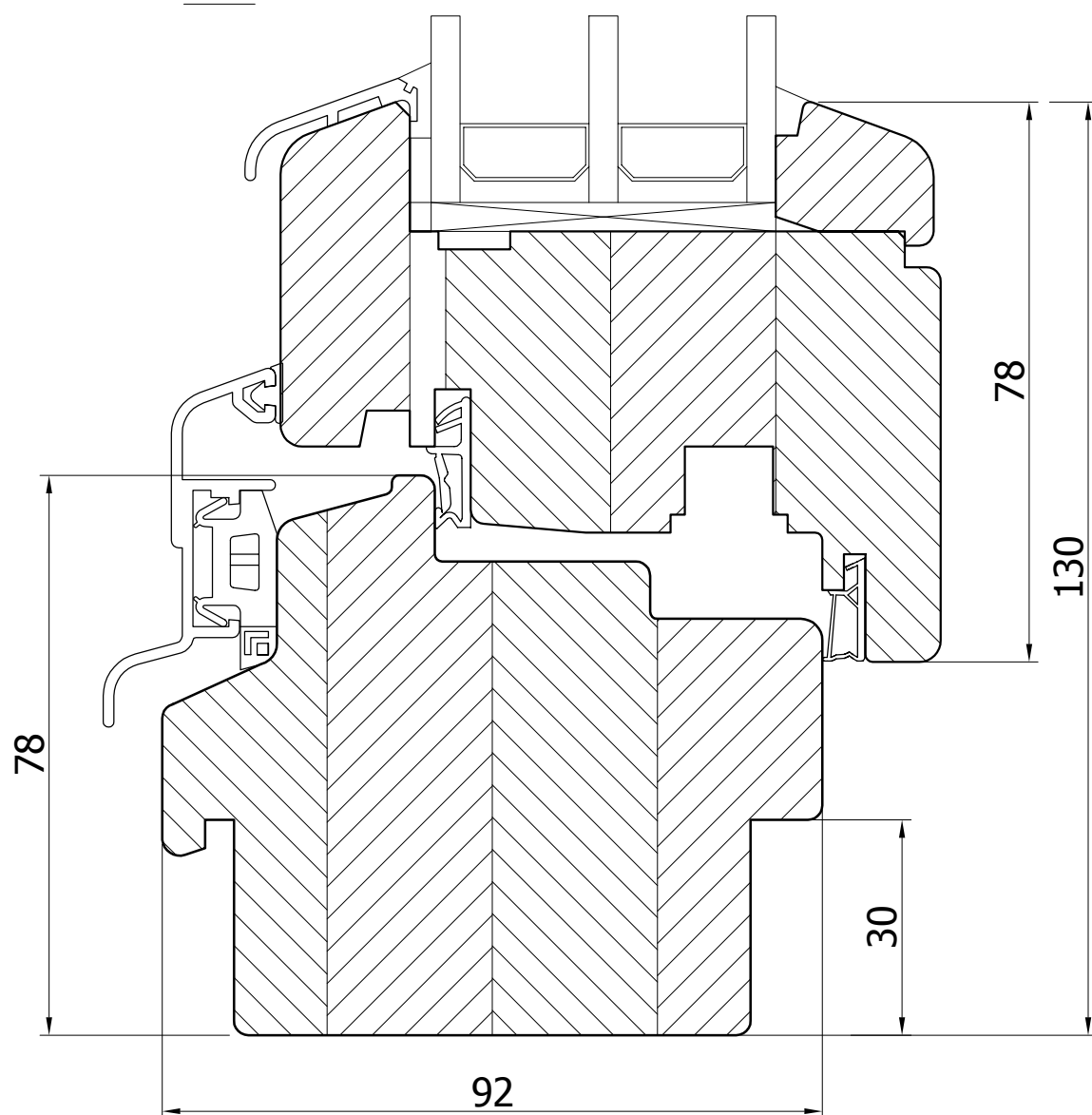


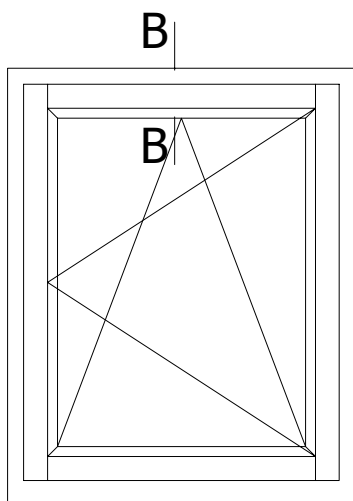
DETAL	STRONA	DETAL	STRONA
92-001	3	92-012	14
92-002	4	92-013	15
92-003	5	92-014	16
92-004	6	92-015	17
92-005	7	92-016	18
92-006	8	92-017	19
92-007	9	92-018	20
92-008	10	92-019	21
92-009	11	92-020	22
92-010	12	92-021	23
92-011	13	92-022	24



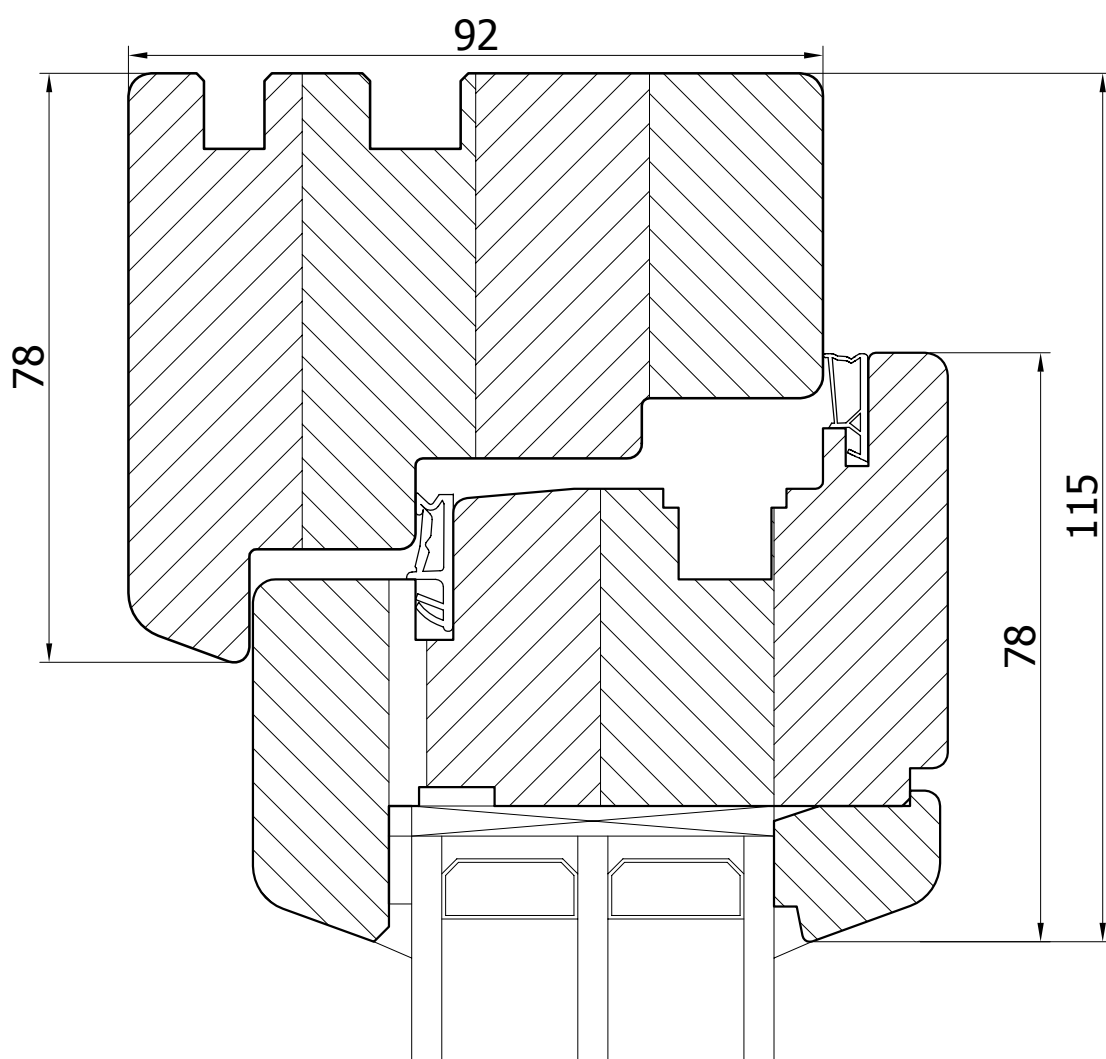


A-A

**Win Eco 92 Softline**

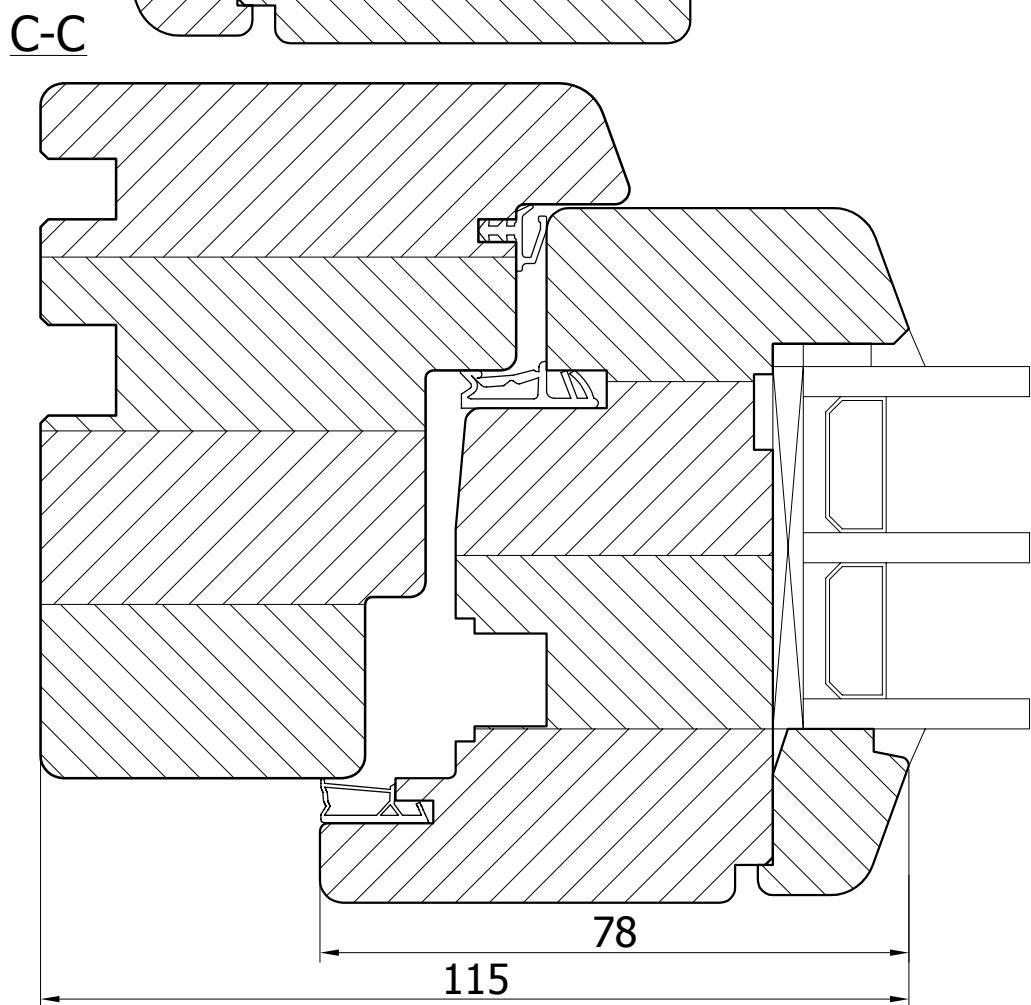
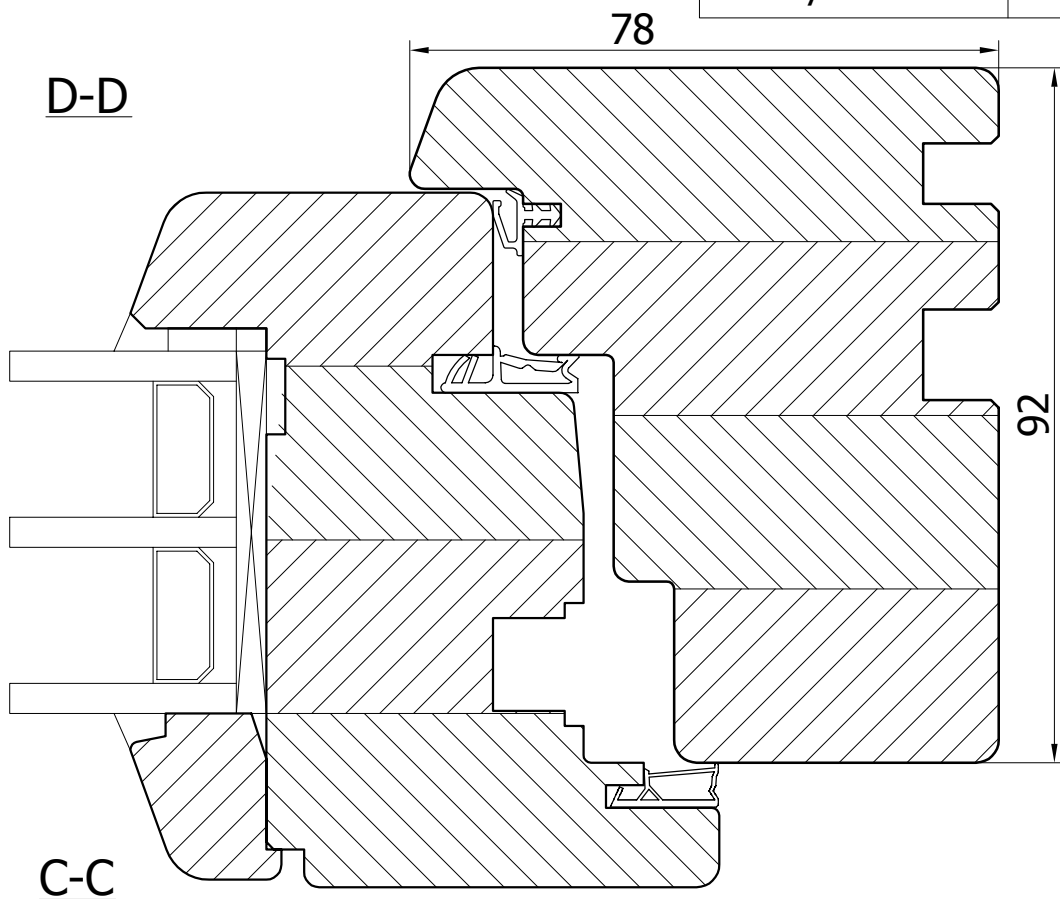
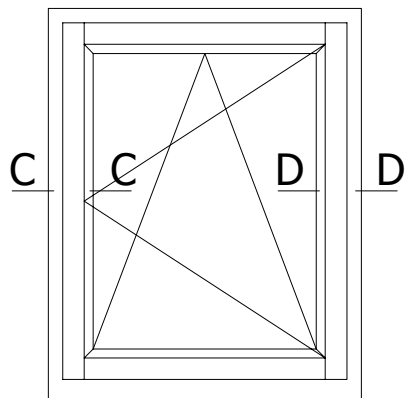


B-B



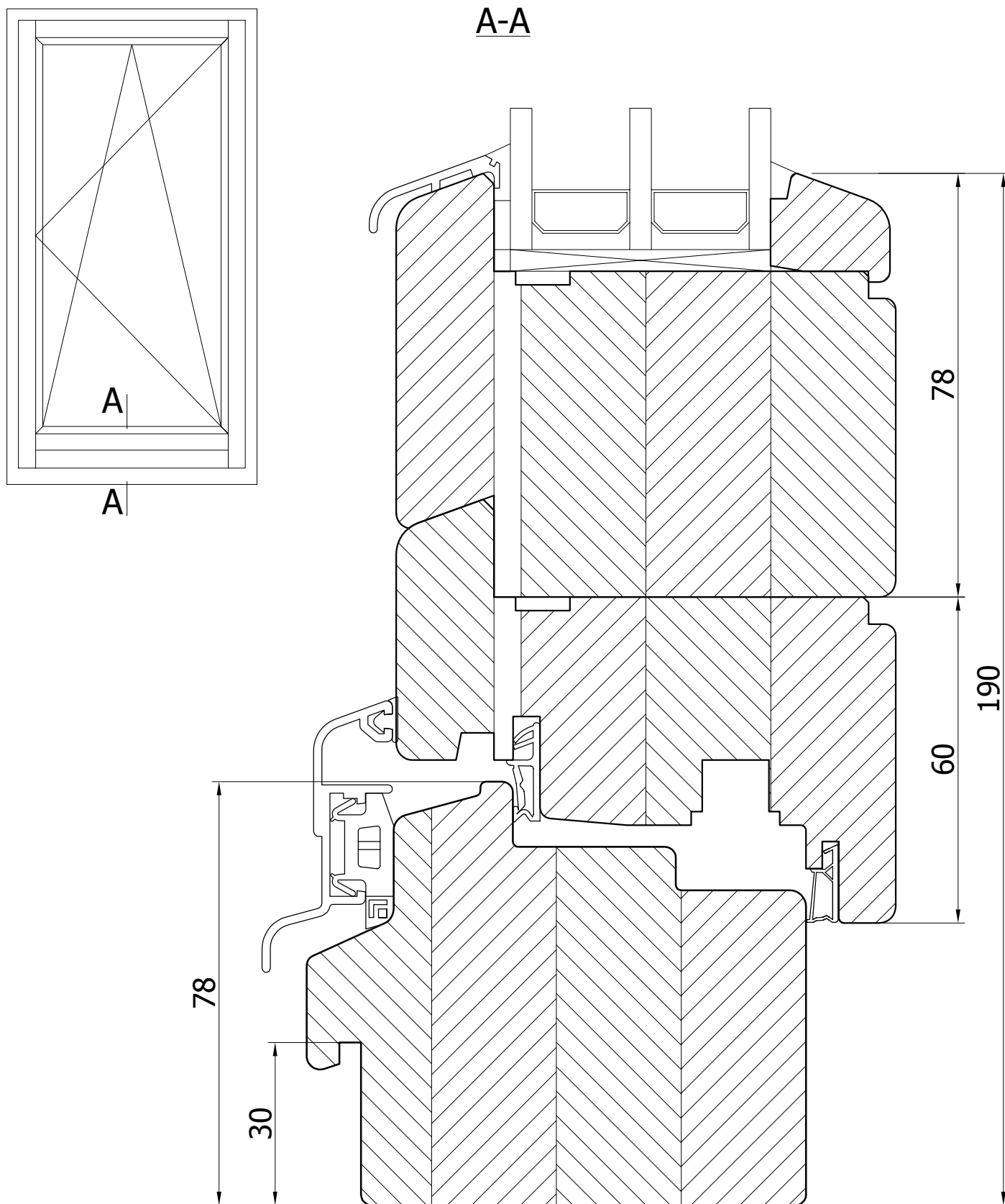
**Win Eco 92 Softline**





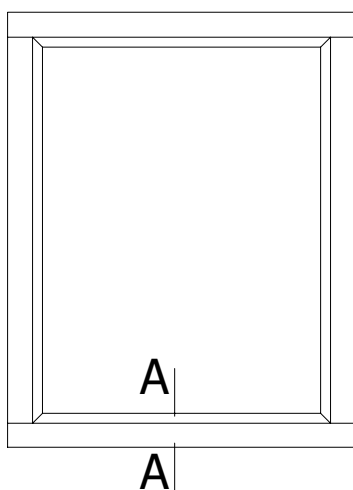
**Win Eco 92 Softline**



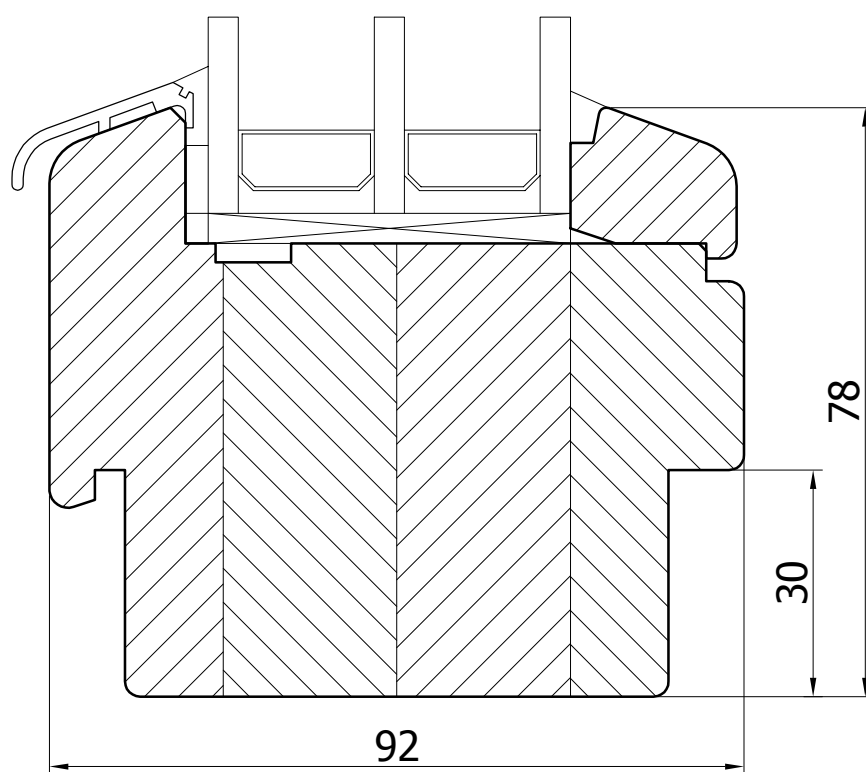


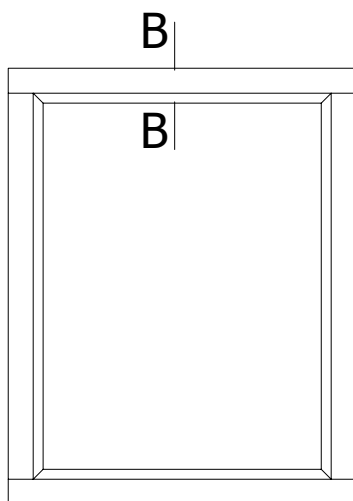
**Win Eco 92 Softline**



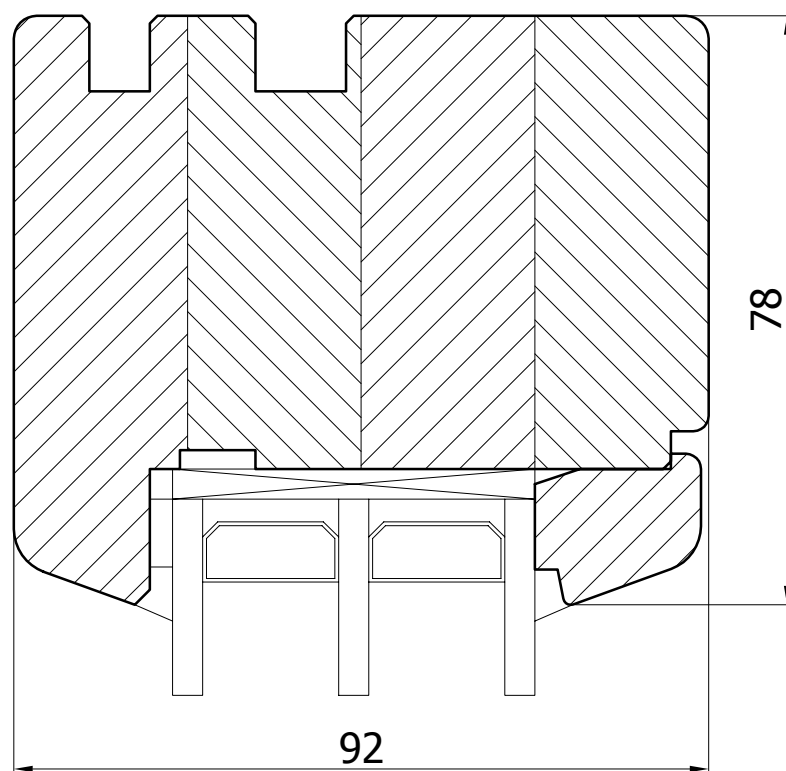


A-A

**Win Eco 92 Softline**

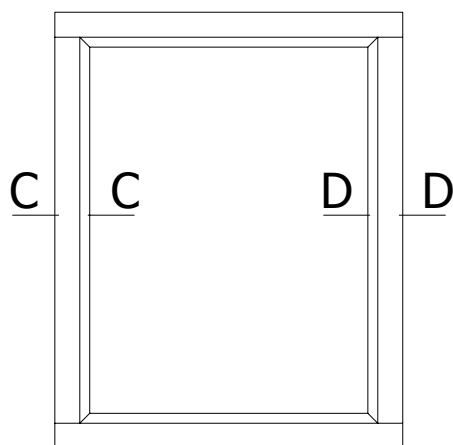


B-B

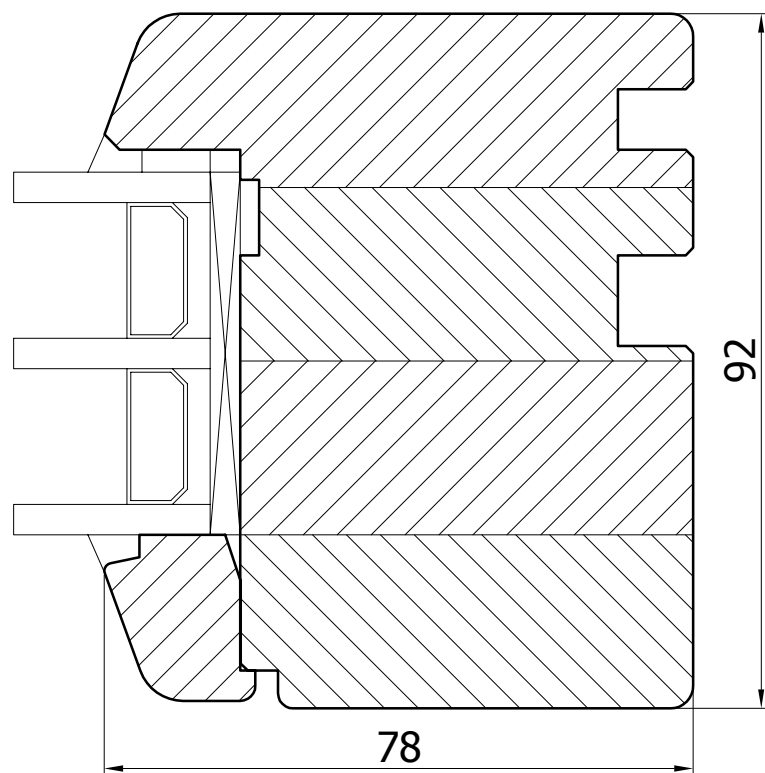


**Win Eco 92 Softline**

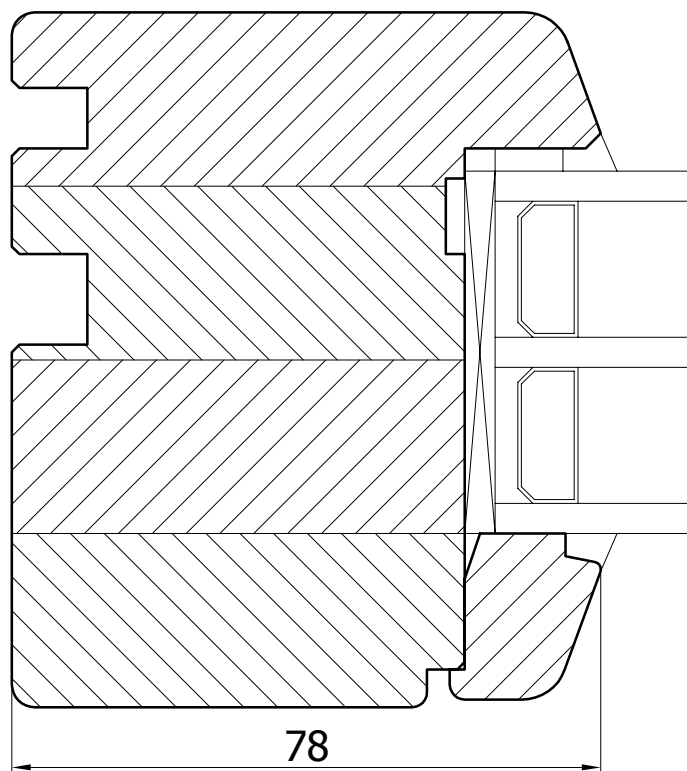




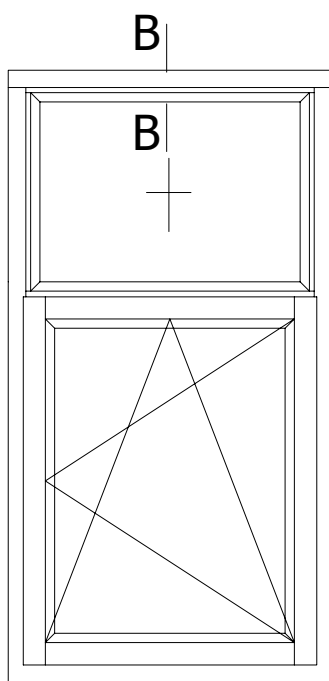
D-D



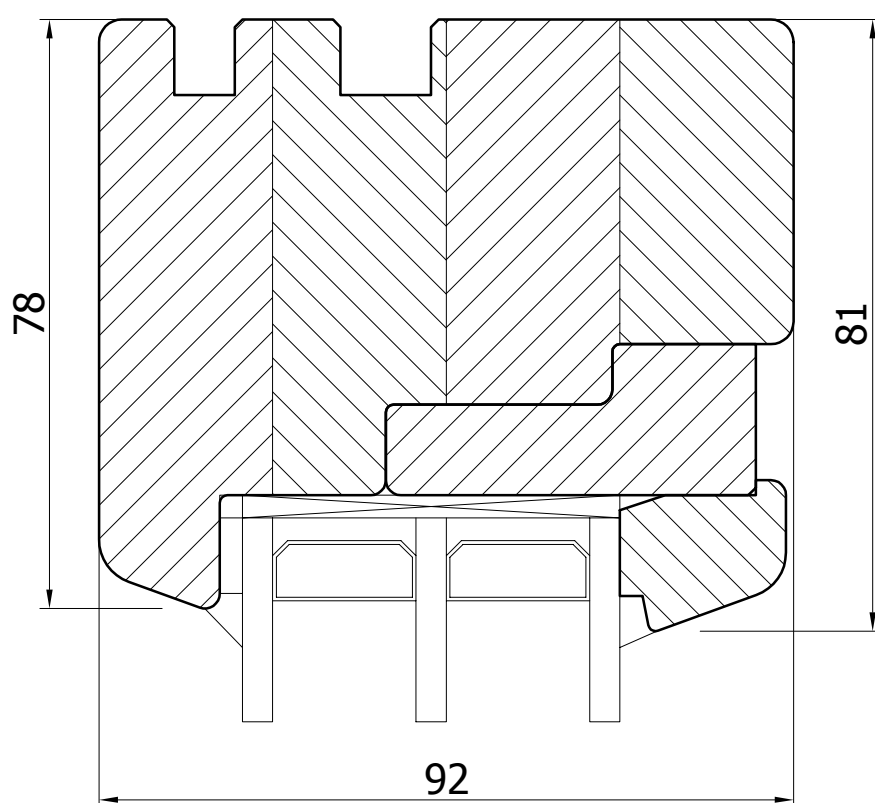
C-C

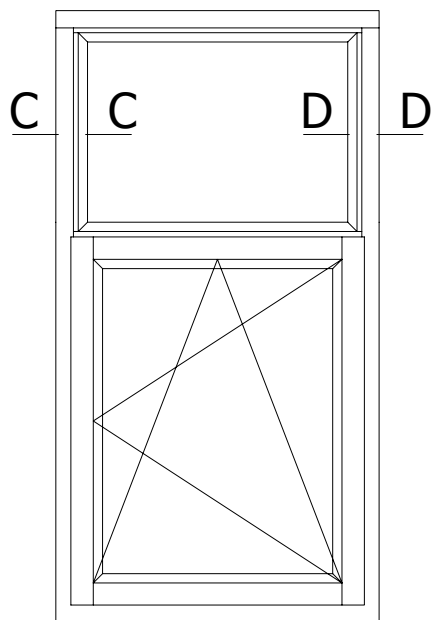
**Win Eco 92 Softline**



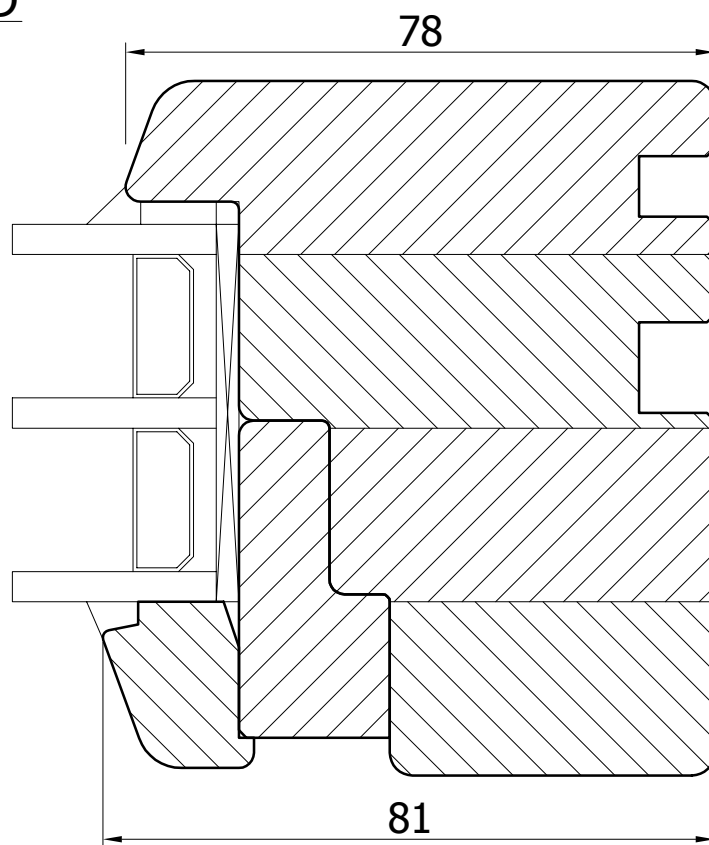


B-B

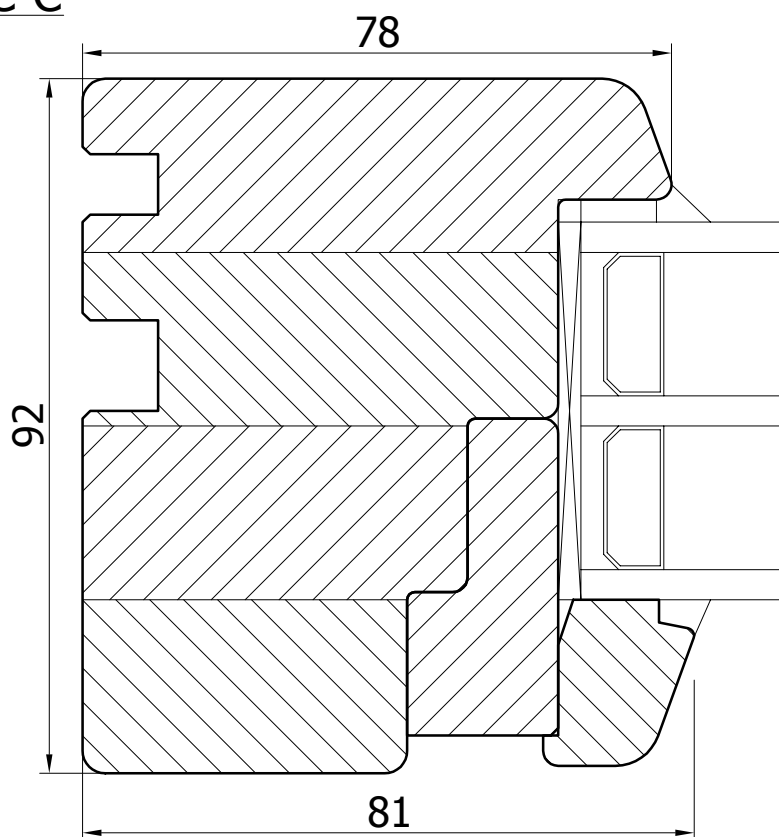
**Win Eco 92 Softline**

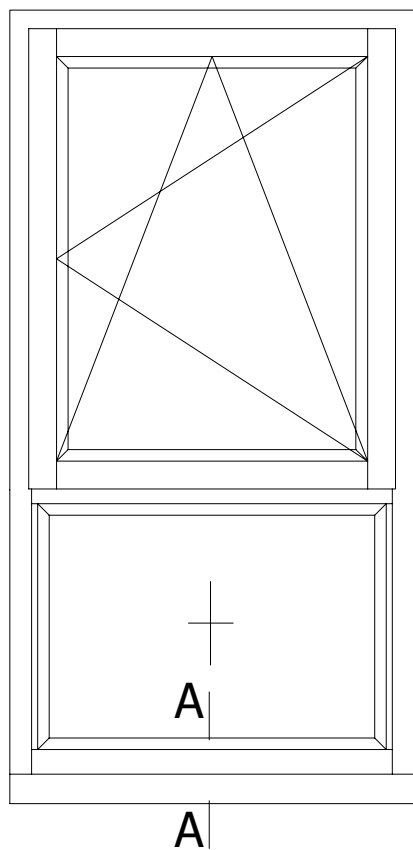


D-D

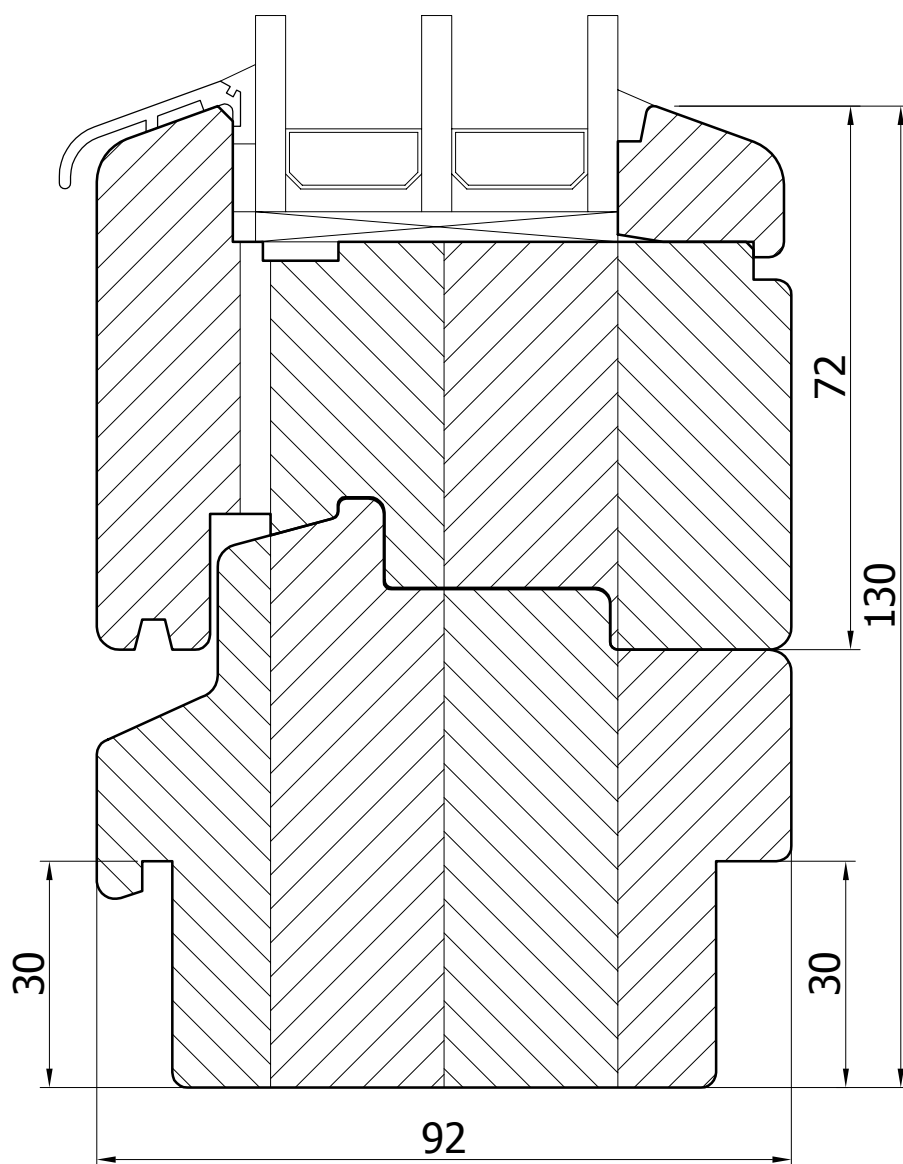


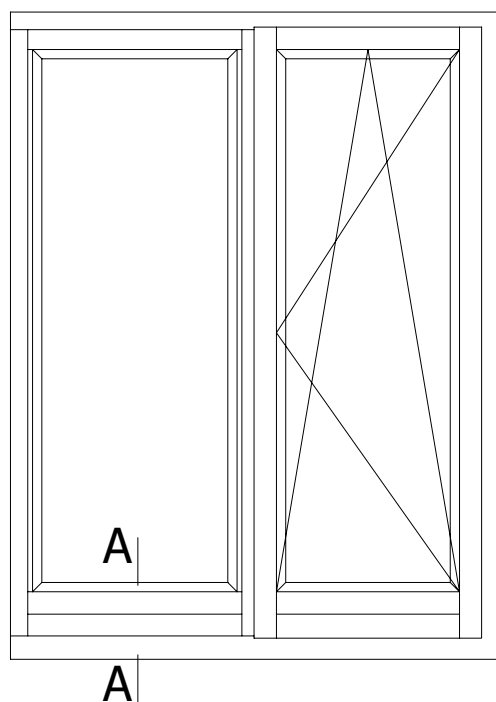
C-C

**Win Eco 92 Softline**

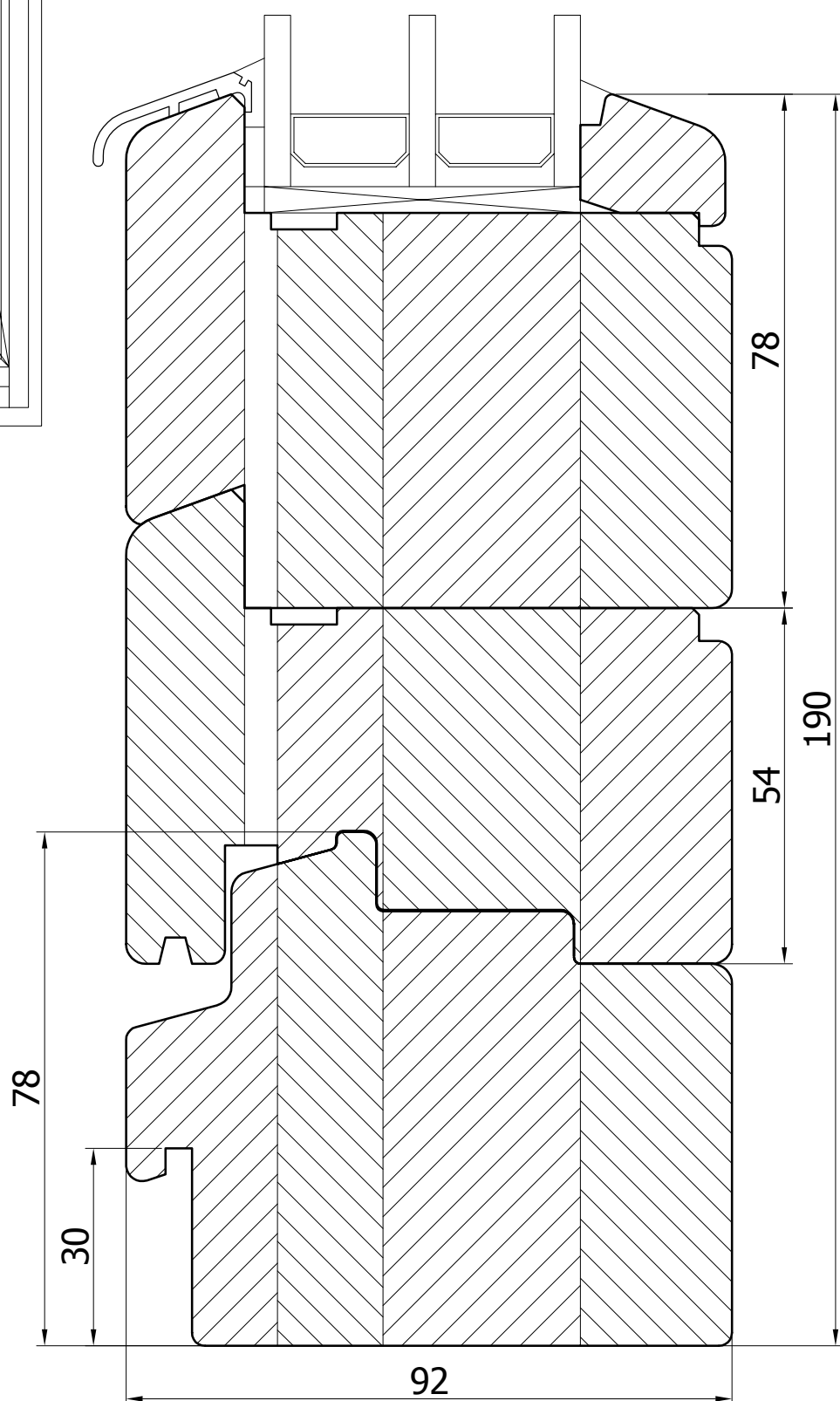


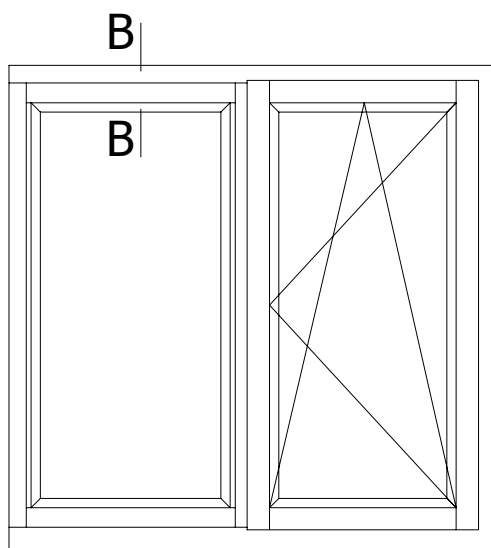
A-A

**Win Eco 92 Softline**

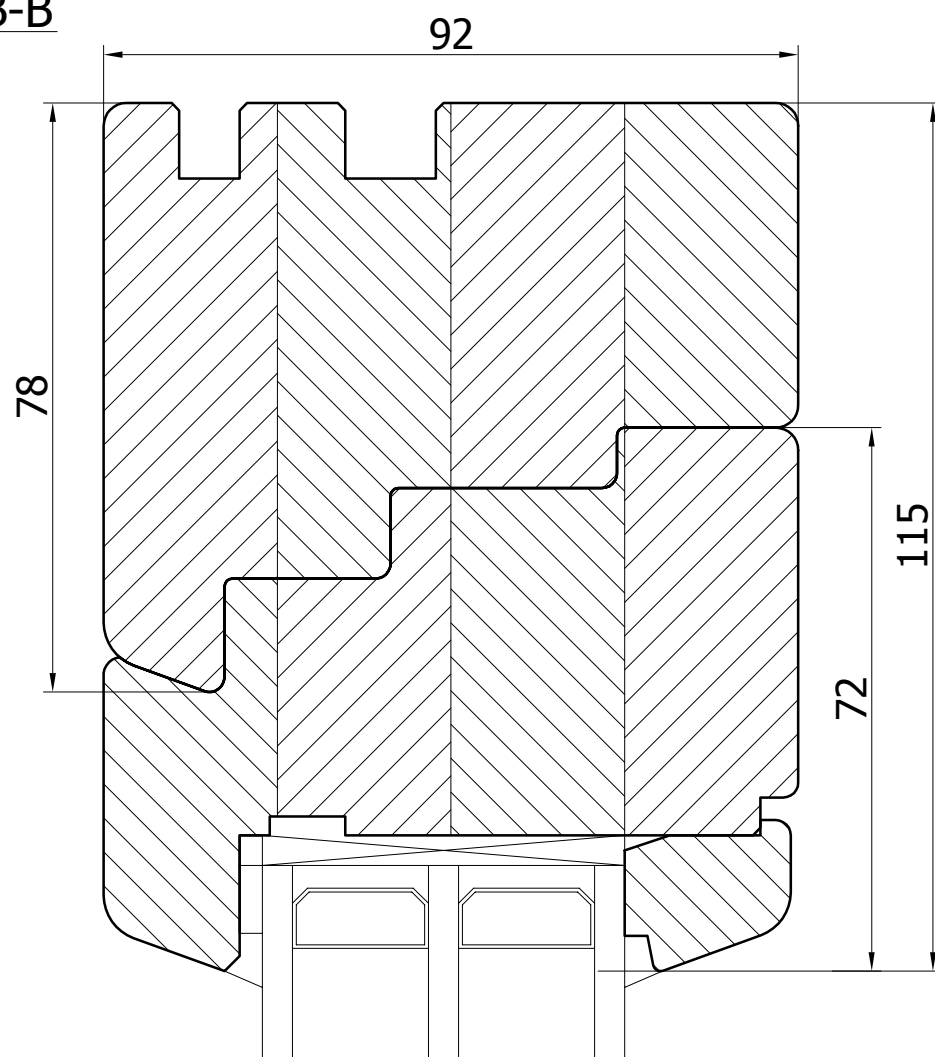


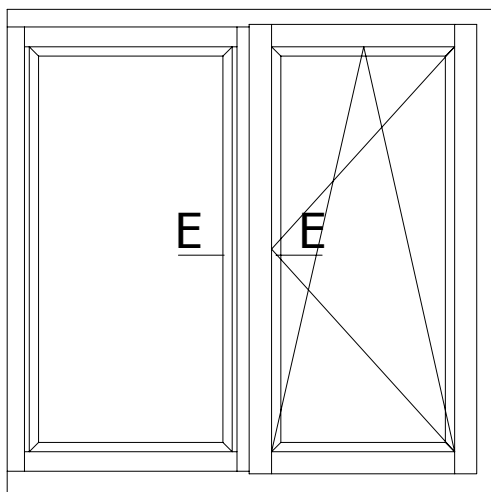
A-A

**Win Eco 92 Softline**

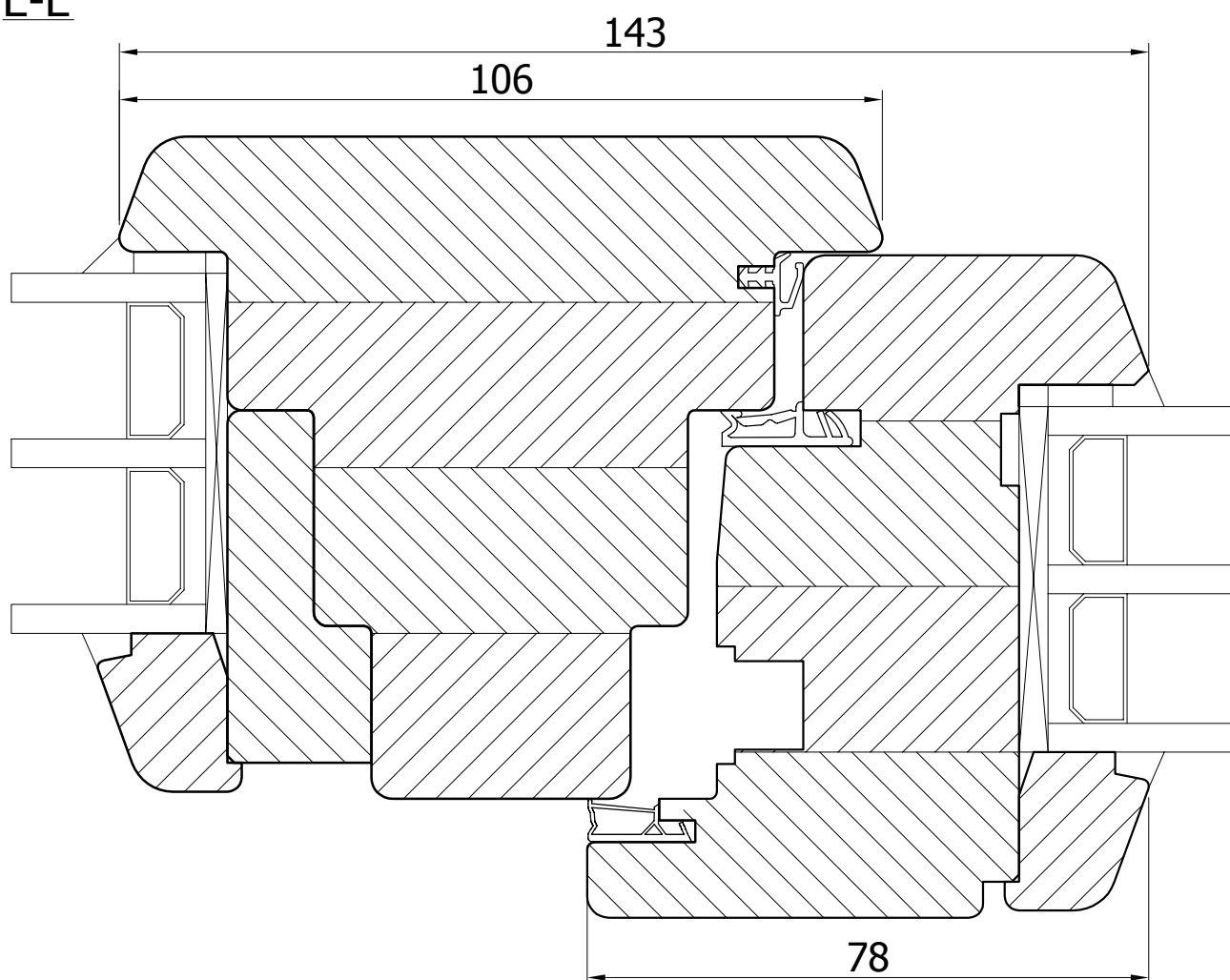


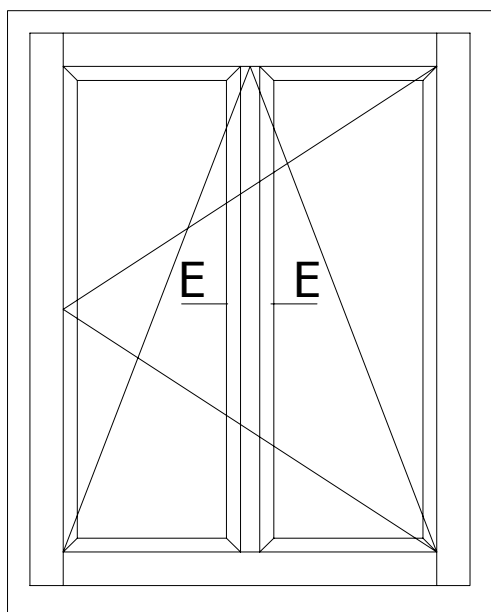
B-B

**Win Eco 92 Softline**

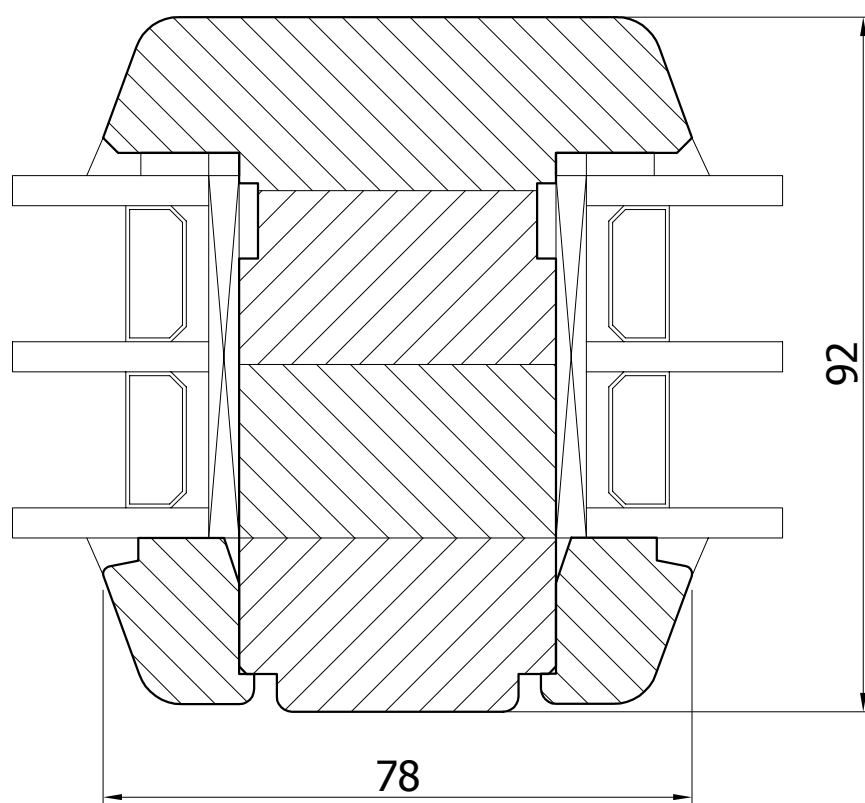


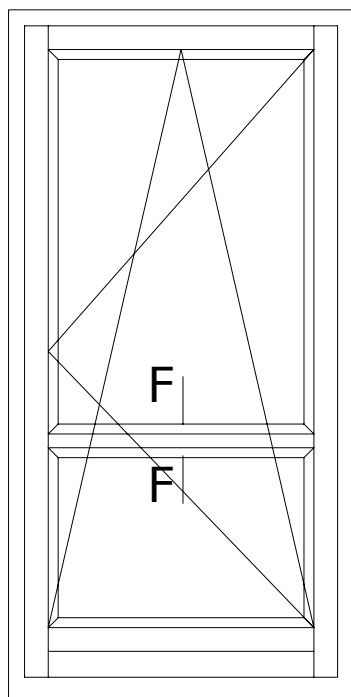
E-E

**Win Eco 92 Softline**

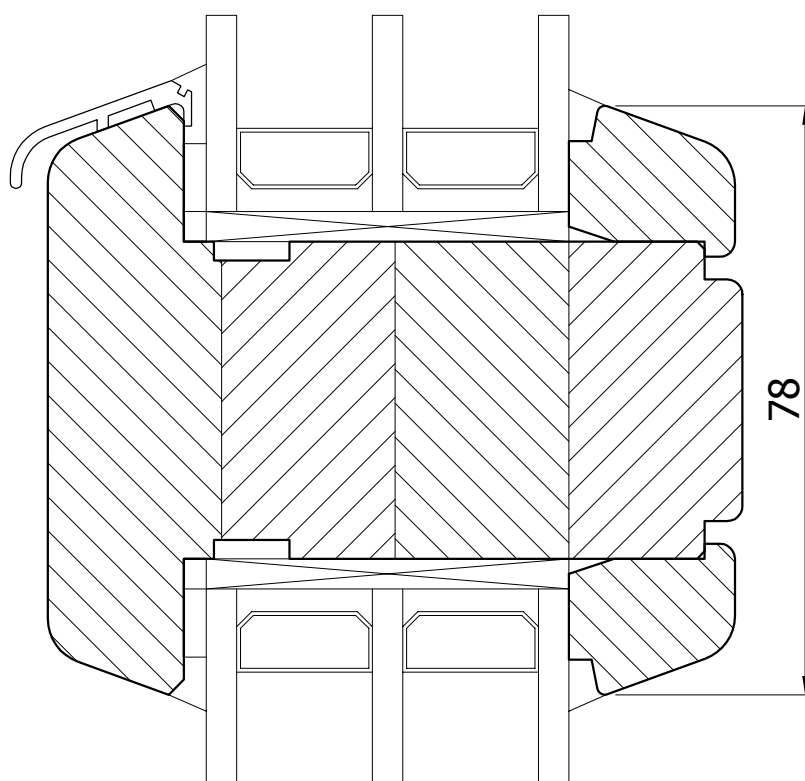


E-E

**Win Eco 92 Softline**



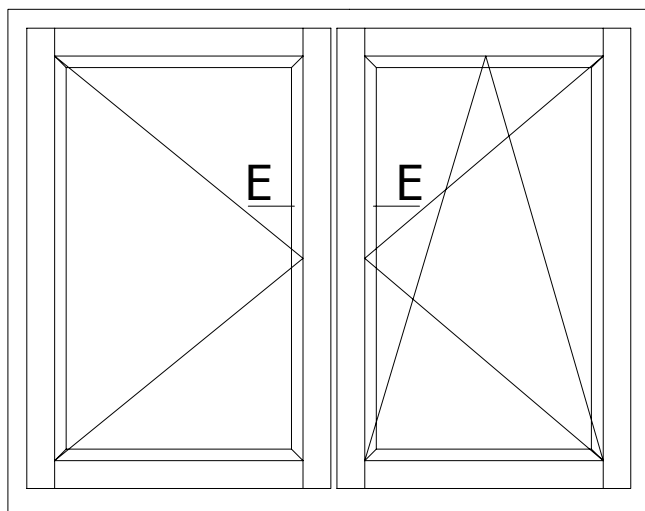
F-F



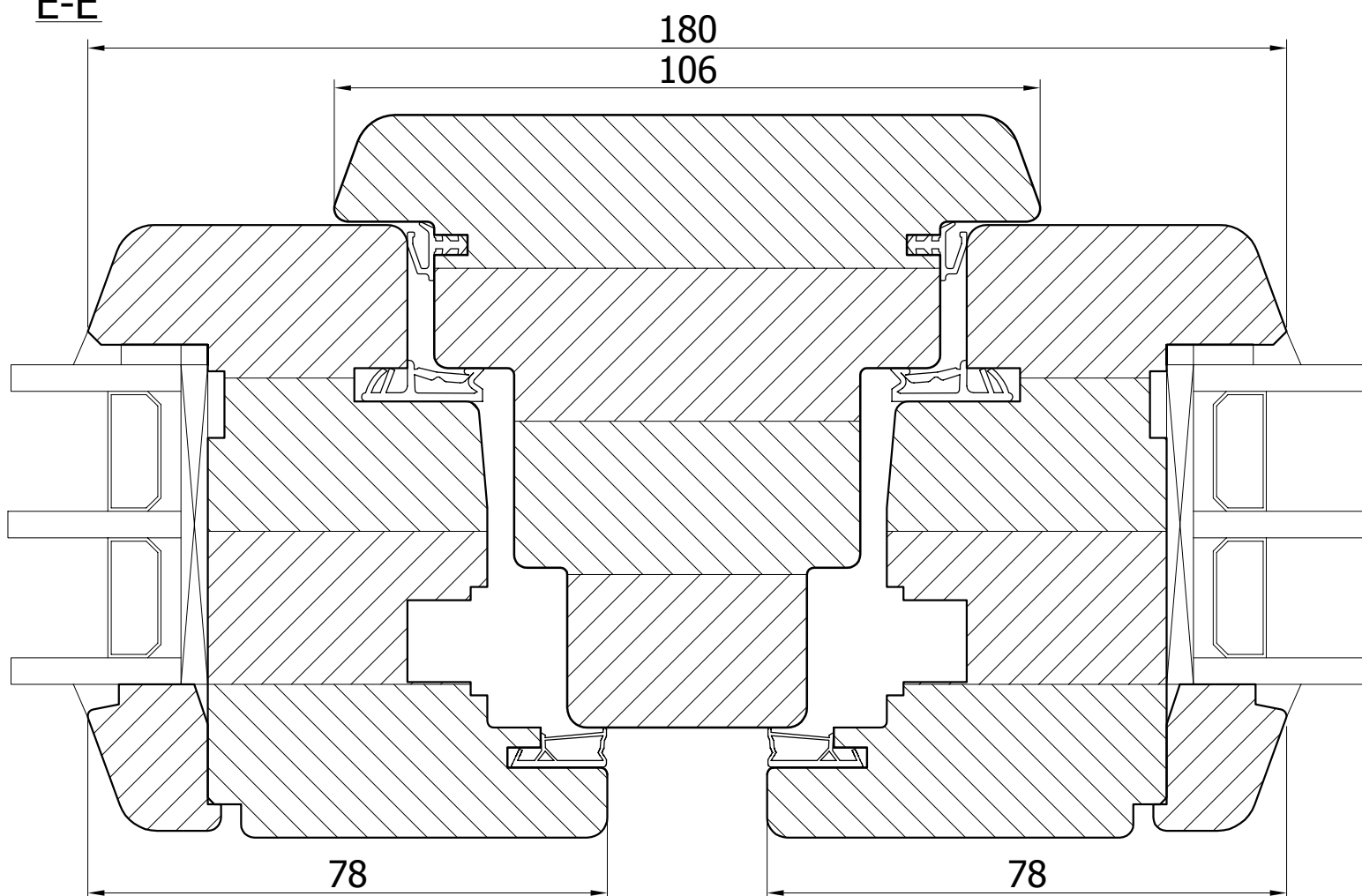
**Win Eco 92 Softline**

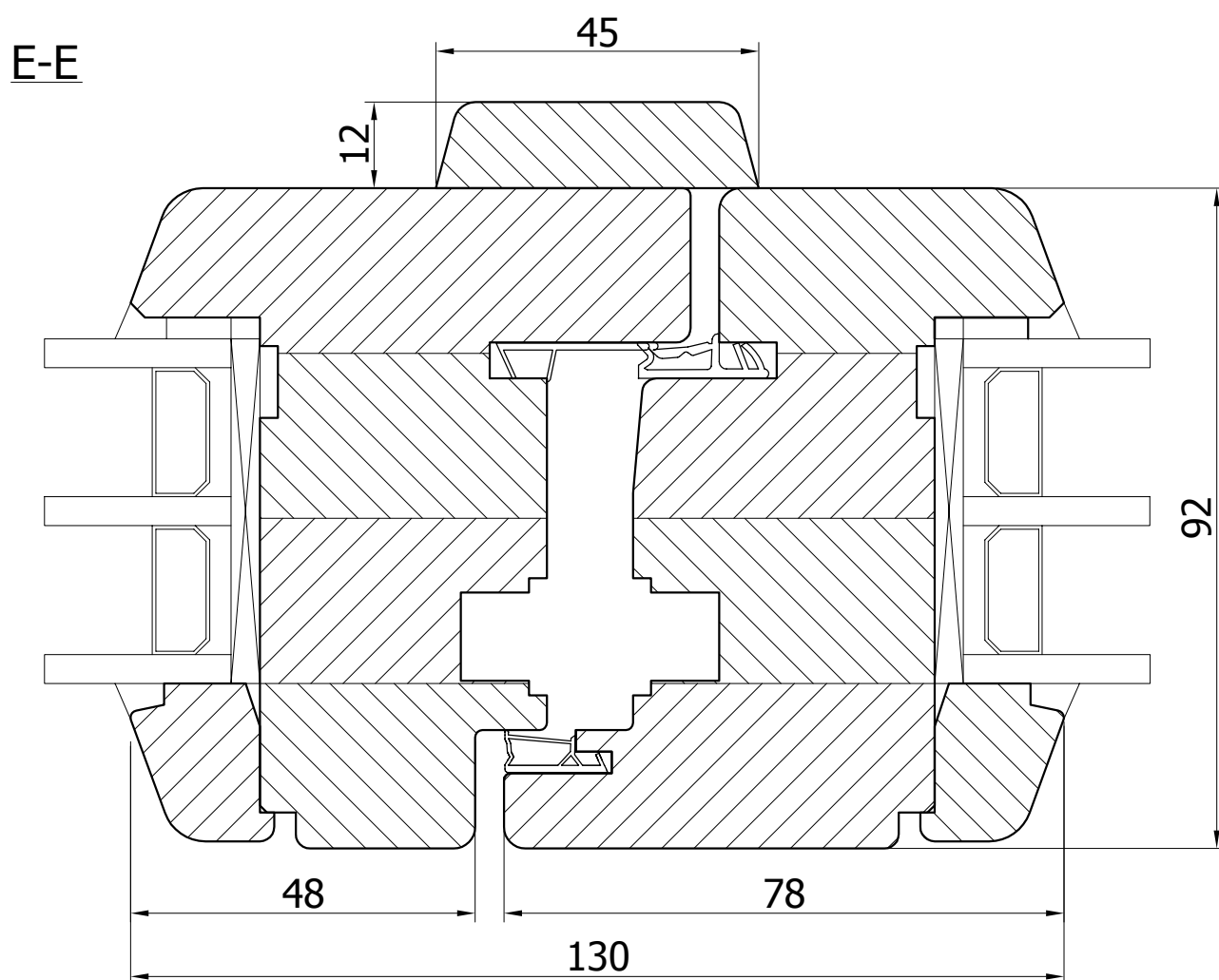
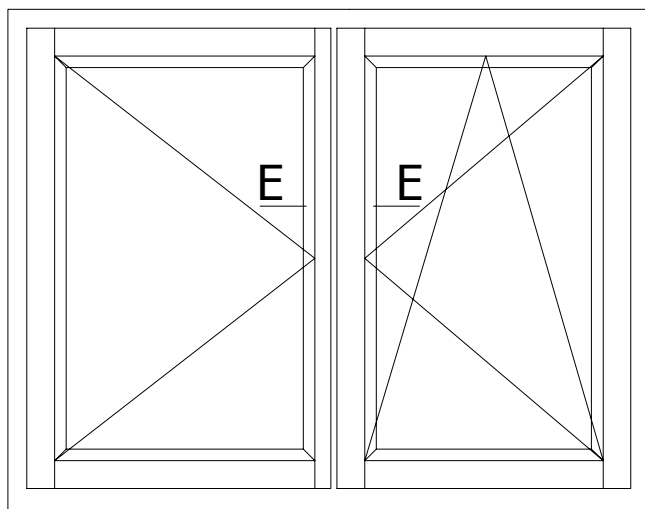






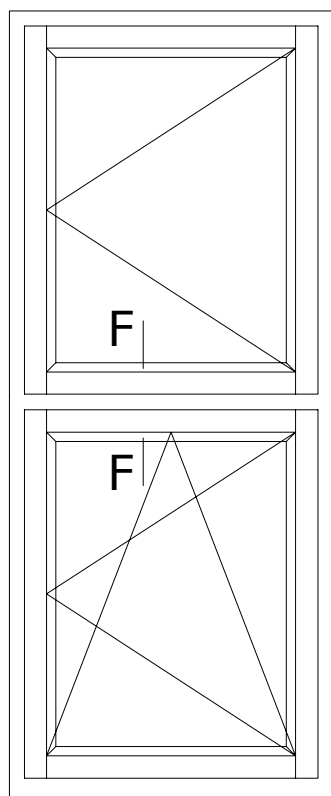
E-E

**Win Eco 92 Softline**

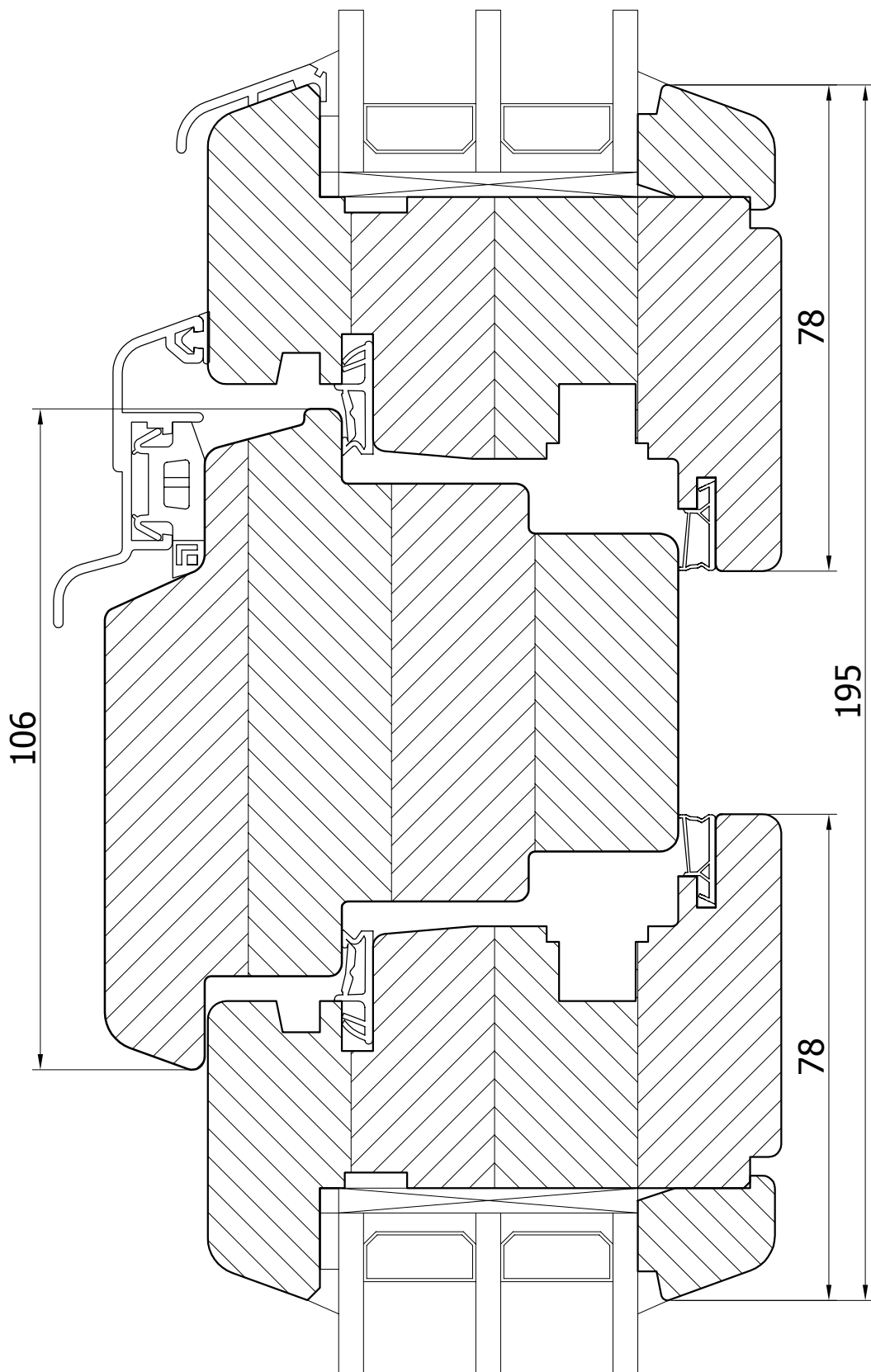


**Win Eco 92 Softline**



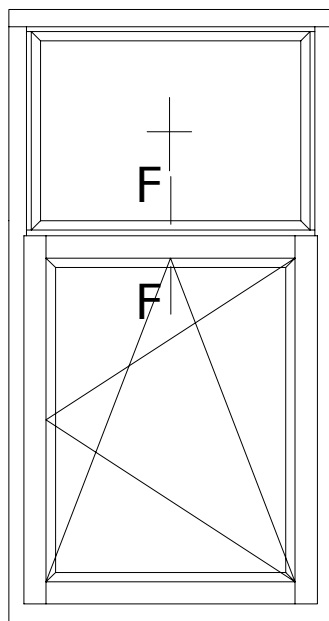


F-F

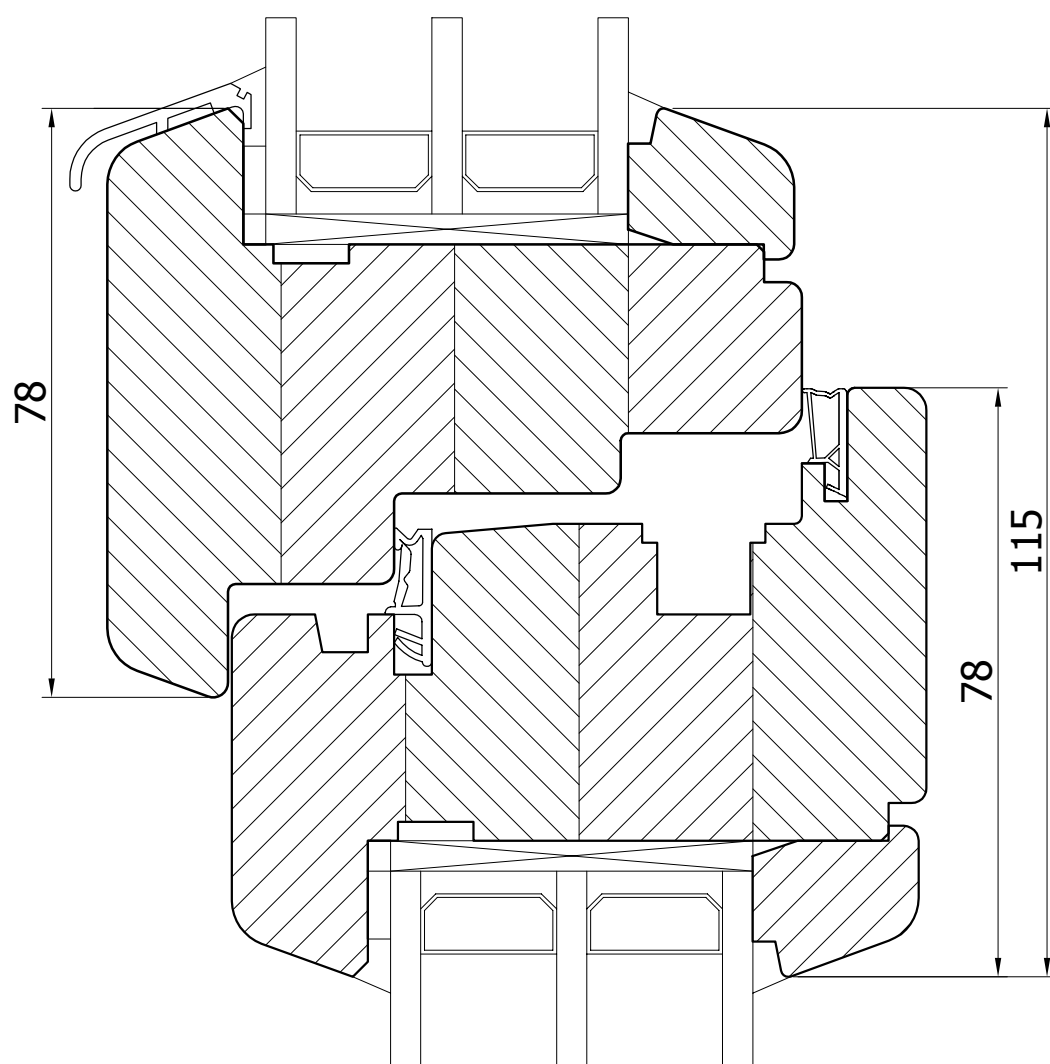


Win Eco 92 Softline



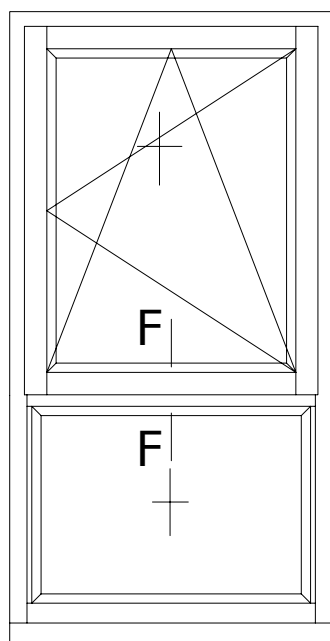


F-F

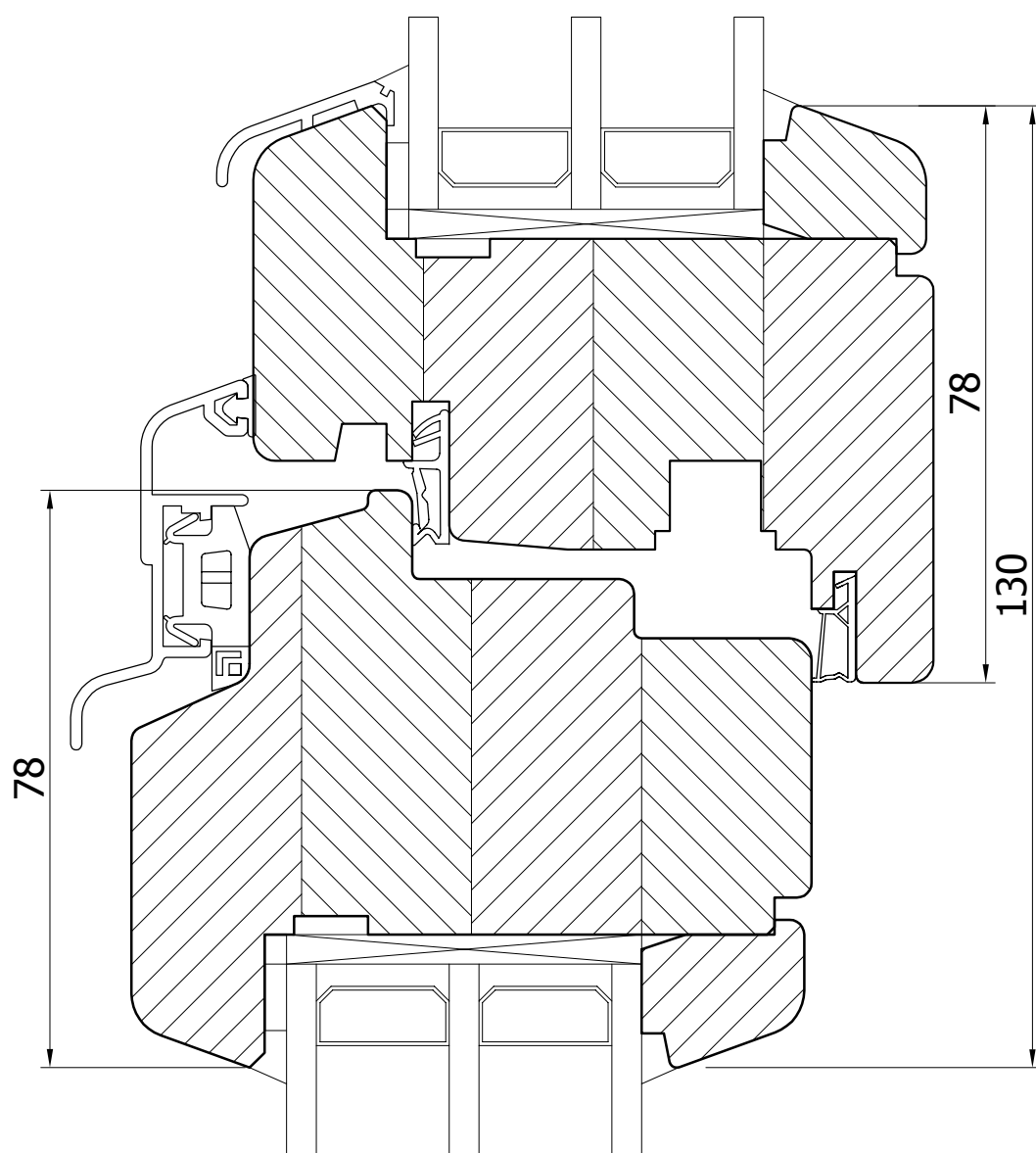


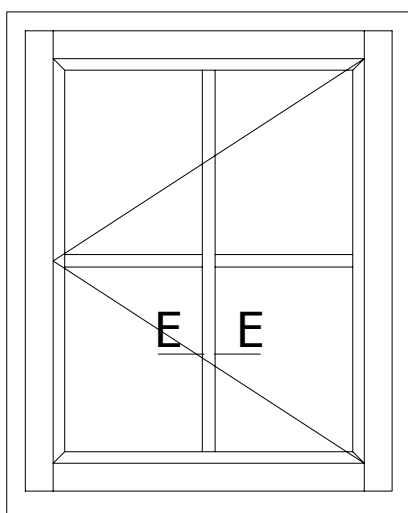
**Win Eco 92 Softline**



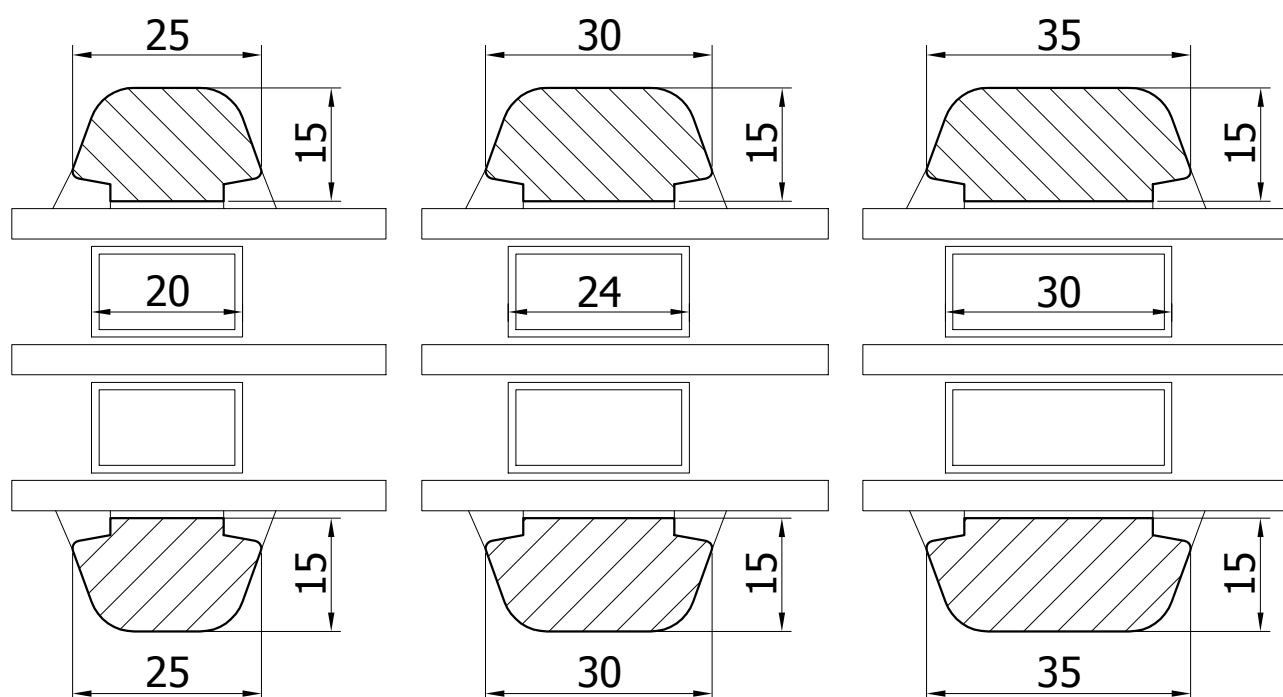


F-F

**Win Eco 92 Softline**

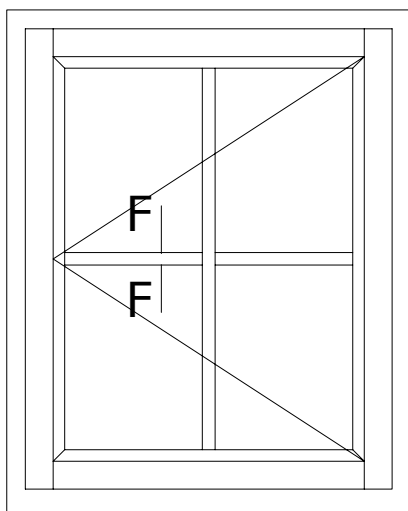


E-E

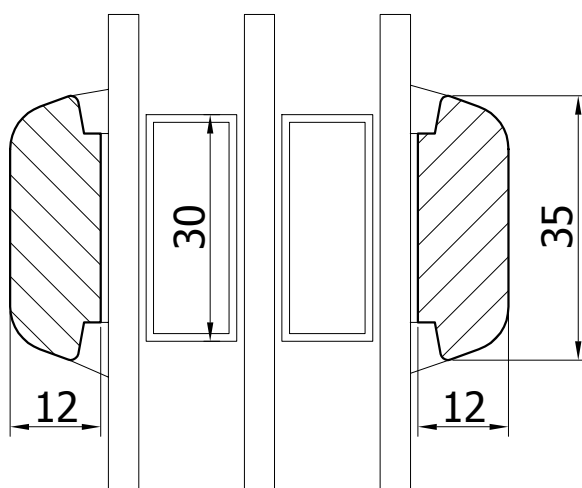
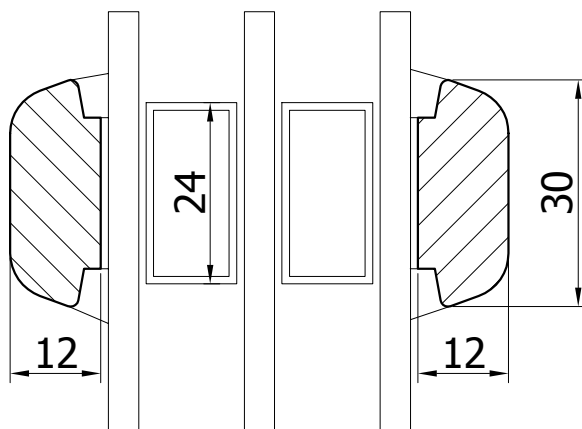
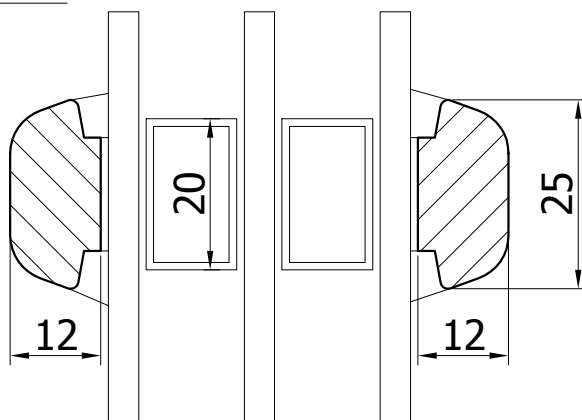


**Win Eco 92 Softline**





F-F

**Win Eco 92 Softline**